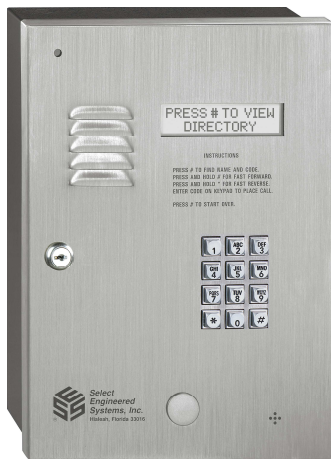


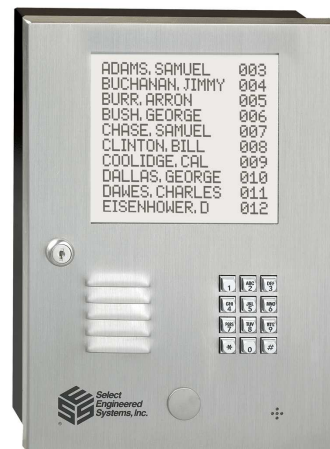
TEC Series Telephone Access



TEC 2



TEC 4



TEC 10

600TECMANUAL
Mar. 2015



**Select
Engineered
Systems, Inc.**

1	INTRODUCTION TEC SERIES	1
	STANDARD FEATURES	1
	CUSTOMIZING FEATURES	2
	OPTIONS	3
	ENVIRONMENT CONSIDERATIONS	4
	ELECTRICAL REQUIREMENTS	4
	TECHNICAL DATA	4
2	INSTALLATION	5
	GENERAL	5
	WIRE SPECIFICATIONS	5
	TERMINAL WIRING HOOKUP CONNECTIONS	6
	TERMINAL BARRIER STRIP CONNECTION DESCRIPTION	7
	DIP SWITCH SETTINGS	8
	SPEAKER SETTINGS	8
	MICROPHONE SETTINGS	8
	POWER SWITCH	9
3	ACCESSORY INSTALLATION	10
	GENERAL	10
	AVAILABLE OPTIONS	10
	TWO (2) INPUT WIEGAND INPUT MODULE - VOLTAGE SELECT	11
	FOUR (4) INPUT WIEGAND INPUT MODULE - VOLTAGE SELECT	11
	WIRE SPECIFICATIONS	12
	CARD READER WIRING	13
	CARD READER SETTINGS	13
	WIEGAND FORMAT	13
	NIC CARD INSTALLATION	14
	K2 RELAY FOR ENTRANCE 3 AND 4	15
	K3 RELAY	16
	ALARM AND CAMERA	16
	TAMPER INPUTS	16
	SHUNT USE FOR 4 WIEGAND INPUT MODULES	16
	SERIAL PORT	17
	PRINTER CONNECTION	17
	MESSAGES	18
	COMPUTER CONNECTION	18
	TERMINAL CONNECTIONS	19
	CURRENT LOOP WIRING	20
	MODEM INSTALLATION	21
	BOARD PLACEMENT	21
	CONNECTIONS	21
	SOFTWARE CONSIDERATIONS	21
	MULTIPLE UNIT INTERFACE (MUI)	23
	BOARD PLACEMENT	23
	TWO MINUTE LOCKOUT	23
	TECLITE	24
	WIRING CONSIDERATIONS	24
	LAMP CHANGING	24

TEC Series v 3.2X

4	PROGRAMMING	25 - 68
	QUICK KEYPAD EXAMPLE	25
	TOUCH TONE	26
	INITIALIZATION	27 - 49
	MANAGER PASSCODE	50 - 68
	PROGRAMMING CHOICES	50
	KEYPAD	28
	CODES / NAMES	30
	ADD / FIND NAME	30
	DELETING A CODE	30
	DELETING A CODE FIELD	30
	CODES USED	32
	SHOW ALL CODES	32
	SHOW ALL NAMES	32
	ENABLE ACCESS GROUPS	32
	ENTRY CONTROL	32
	ENTRANCE X UNLOCK TIME	32
	ENTRANCE X UNLOCK TONE	33
	ENTRANCE X AUTO GROUP	33
	ENTRANCE X LATCH TONE	33
	ENTRANCE X SPECIAL RELAY ENABLE	33
	SYSTEM PARAMETERS	34
	TALK TIME	34
	ALARM TIME	34
	CODE LENGTH	34
	PIN LENGTH	34
	BACK BEEP	34
	TONE DIAL	35
	UNIT ID. OR RING COUNT	35
	STRIKE OUTS	35
	TITLE PAGE	35 - 36
	COMMUNICATIONS SETUP	36
	TERMINAL TYPE	36
	RS 232 BAUD	37
	PROGRAM PASSWORD	37
	CONTROL PASSWORD	37
	PIN ON ENTRANCE	37
	SITE CODE	37
	DIRECTORY ON / OFF	38
	KEYPAD ON / OFF	38
	SPEAKER TONE	38

PROGRAMMING continued

CLOCK SETUP	38
SETTING TIME/DATE	39
SETTING TIME ZONES	39
SETTING HOLIDAYS	41
ACCESS LEVELS	42
SELECTING AN ACCESS GROUP	42
SELECTING AN ACCESS LEVEL	43
PROGRAMMING AN ACCESS LEVEL - TABLE	44
AUTOMATIC UNLOCK AND RELOCK BY TIME ZONE	44
EXAMPLE OF AN AUTOMATIC UNLOCK APPLICATION	44 - 45
TRANSACTION BUFFER INFORMATION	45 - 46
VIEW LOG	46
SEND LOG	46
BUFFER FREE	46
CLEAR BUFFER	46
CLEAR DATA	46
SET PARAMETERS	46
CLEAR TIME ZONES	46
CLEAR HOLIDAYS	46
CLEAR ACCESS LEVELS	47
CLEAR ACCESS GROUPS	47
CLEAR CORRUPT DATA	47
DISPLAY DATA	47
PRINT INFO	47
PRINT HOLIDAYS	48
PRINT ACCESS LEVELS	48
PRINT ACCESS GROUPS	48
DISPLAY TIME ZONE	49
DISPLAY HOLIDAYS	49
DISPLAY ACCESS LEVELS	49
DISPLAY ACCESS GROUPS	49
TERMINAL PROGRAMMING	50
GENERAL	50
MANAGER PASSCODE	51
PROGRAMMING CHOICES	51
CODES / NAMES	53
ADD / FIND NAME	53
DELETING A CODE	53
DELETING A CODE FIELD	53
CODES USED	54
SHOW ALL CODES	54
SHOW ALL NAMES	54
ENABLE ACCESS GROUPS	55
ENTRY CONTROL	55

TEC Series v 3.2X

TERMINAL PROGRAMMING *continued*

ENTRANCE X UNLOCK TIME	55
ENTRANCE X UNLOCK TONE	55
ENTRANCE X AUTO GROUP	56
ENTRANCE X LATCH TONE	56
ENTRANCE X SPECIAL RELAY ENABLE	56
SYSTEM PARAMETERS	57
TALK TIME	57
ALARM TIME	57
CODE LENGTH	57
PIN LENGTH	57
BACK BEEP	57
TONE DIAL	57
UNIT ID. OR RING COUNT	58
STRIKE OUTS	58
TITLE PAGE	58
COMMUNICATIONS SETUP	59
TERMINAL TYPE	59
RS 232 BAUD	59
PROGRAM PASSWORD	59
CONTROL PASSWORD	59
PIN ON ENTRANCE	59
SITE CODE	60
DIRECTORY ON / OFF	60
KEYPAD ON / OFF	60
SPEAKER TONE	60
UPDATE LCD (TECVISION ONLY)	60
CLOCK SETUP	60
SETTING TIME/DATE	60
SETTING TIME ZONES	61
SETTING HOLIDAYS	62
ACCESS LEVELS	63
SELECTING AN ACCESS GROUP	63
SELECTING AN ACCESS LEVEL	64
PROGRAMMING AN ACCESS LEVEL - TABLE	65
AUTOMATIC UNLOCK AND RELOCK BY TIME ZONE	65
EXAMPLE OF AN AUTOMATIC UNLOCK APPLICATION	65 - 66
TRANSACTION BUFFER INFORMATION	66
VIEW LOG	66
SEND LOG	66
BUFFER FREE	67
CLEAR BUFFER	67
CLEAR DATA	67

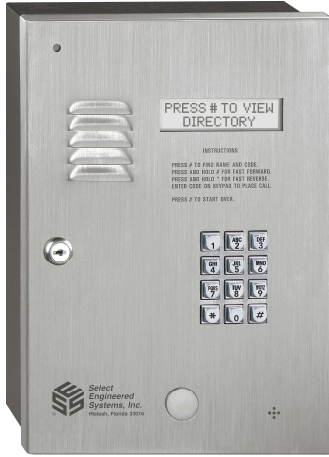
TERMINAL PROGRAMMING continued

SET PARAMETERS	67
CLEAR TIME ZONES	67
CLEAR HOLIDAYS	67
CLEAR ACCESS LEVELS	67
CLEAR ACCESS GROUPS	67
CLEAR CORRUPT DATA	67
DISPLAY DATA	68
PRINT INFO	68
PRINT HOLIDAYS	68
PRINT ACCESS LEVELS	68
PRINT ACCESS GROUPS	68
DISPLAY TIME ZONE	68
DISPLAY HOLIDAYS	68
DISPLAY ACCESS LEVELS	68
DISPLAY ACCESS GROUPS	68

TEC Series v 3.2X

1 INTRODUCTION to the TEC SERIES

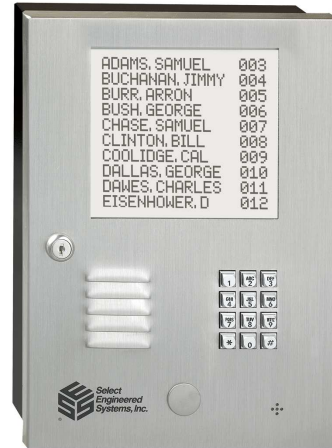
The TECHF/50, through TECHF/2000, are automatic call , entry and card reader control systems.



TEC 2



TEC 4



TEC 10

The TEC units operate and program identically. In this manual, the term "TEC" will be used interchangeably to refer to any type of unit. The TEC series line includes a 2 line display LCD display called the TEC2, a 4 line LCD display called the TEC4, and a 10 name LCD display called the TEC10. Except for the display size or housing, the electronics are identical. This programming manual is valid for any model TEC system. Where there are differences, a table will show those differences like this:

The TEC 2 display message is:

**PRESS # TO VIEW
DIRECTORY**

The TEC 4 display message is:

**PRESS # TO VIEW
DIRECTORY
PRESS # TO SEE NAMES
THEN DIAL THE CODE**

The TEC 10 display message is:

**PRESS # TO VIEW
DIRECTORY
PRESS # TO SEE NAMES
ON THE DIRECTORY
THEN DIAL THE CODE
TO THE RIGHT OF NAME
PRESS AND HOLD # FOR
FAST SCROLLING > Z
PRESS AND HOLD * FOR
FAST SCROLLING A <**

STANDARD FEATURES:

- Memory Capacities:
50/125/250/500/1000/2000 for residents telephone numbers and names in directory.
- Dials out either Touch-Tone™ or rotary - field programmable.
- Dials up to 14 digit phone numbers.
- Unit will mute tones in speaker during dialing.
- Unit will not accept Touch-Tone™ signals through the microphone.
- Two line 16 character per line LCD display. (TEC 2 Series) Displays one name.
- Four line 20 character per line LCD display. (TEC 4 Series) Displays 4 names.
- Four line 40 character per line LCD display. (TEC 8 & Advantec Series) Displays 8 names.
- Programmable without opening cabinet, via keypad, RS-232, or Modem with Selcom 7 Software
- Talk time field programmable from 1 - 99 min.
- Postal lock capability included.
- Request to exit input for all entrance control relays.
- Entry code attempts (strike out) programmable from 0 - 9.
- Non-volatile memory, retains data even when power is removed.
- Surface or semi-flush mounting.
- Remote Entrance relay activation.
- Latching Entrance relays (with Remote Control Password).
- Programmable background "beep" to indicate call placed from telephone entry unit.
- Personal Identification Number (PIN code). Extra PIN codes above unit capacity.
- Remote Touch-Tone™ Entrance Relay Control.
- Manager Password (First three digits of Program Password).
- Battery charging circuitry.

STANDARD CUSTOMIZING FEATURES

- 1 - 6 digit directory codes field programmable.
- 0 - 6 digit entry codes Personal Identification Number (PIN) field programmable.
- One card per Directory code.
- Up to 2,000 cards may be used
- Card reader control module for either 2 or 4 entrances using these technologies:
 - 1) Wiegand, swipe, insert, or keypad.
 - 2) Proximity, RF Transmitter, Bar Code (Wiegand code only), Long Range Proximity.
- Transaction Buffer (up to 1580 transactions depending on code size and options).
- Clock & Calendar, timed lock and unlock.
- Time Zones, Access Levels, and Holidays.
- Resident activated door/gate release via Touch-Tone™ number (1-9), field programmable on all entrances.
- Voice mail response capability. (Keypad active after unit calls out, programmed from TEC).
- Crystal controlled tone detection for short burst 50 MS tone.
- Speaker Listen-in.

TEC Series v 3.2X

STANDARD CUSTOMIZING FEATURES continued

- Hide Name Feature. Allows people to dial a code without displaying name on directory.
- Two minute modem lockout time.
- Dynamic scrolling, based on number of phone numbers programmed (See table below).
(Scrolls after key is held more than 4 seconds).

Dynamic Scrolling Table,

TEC 2	TEC 4	TEC 10
1 to 30 Names scrolls by 2's	scrolls by 4's	scrolls by 8's
33 to 100 Names scrolls by 5's	scrolls by 8's	scrolls by 16's
101 to 260 Names scrolls by 10's	Scrolls by 16's	scrolls by 32's
261 or more Names scrolls by 15's	scrolls by 48's	scrolls by 96's

OPTIONS:

- Card reader control module for either 2 or 4 entrances using these technologies
- 56.6K Baud modem
- Wiegand, swipe, insert or keypad
- Proximity, RF Transmitter, Bar Code (Wiegand Code Only), Long Range Proximity
- Clock & Calendar, timed lock and unlock with Time Zones Access Levels and Holidays
- Printer capability (RS-232 port) , Current Loop or NIC Interface to printer, terminal or computer
- (Baud rates to printer and/or remote terminal (CRT)) 300, 600, 1200, 2400, 4800, 9600, 19200
- Current loop 300, 600, 1200, 2400, 4800, 9600 to 2000 feet.
- Third signal relay with two modes of operation:
 - 1.) for CCTV activation, alarm output, tamper input
 - 2.) or for control of a third door (timed and latched functions).
- Multiple TEC's (2 - 8 depending on programming mode) can share same telephone line, via multiple unit interfaces (OPTKMUI).
- Local ringer capability.

BASIC OPERATION: The TEC is a microprocessor based device that allows entering from 1 - 6 digits on the front keypad. It then automatically dials the phone number programmed into memory. The TEC provides a relay output for controlling doors, gates, elevators or any device actuated by a contact closure or contact opening. The TEC has a programmable 1 to 99 minute talk-time limit. It provides warning tones near the end of talk time.

The TEC will dial out either pulse (rotary) or Touch-Tone™ via programming selection. While the TEC dials, the speaker disconnects, keeping the dialed phone number confidential.

The TEC has an (optional) relay (OPTK3R). This can (depending on the options ordered and the programming) be configured as either: a third door control, an alarm and off-hook control relay, or Door 1 & 2 shunt relay and door sense. Calling the TEC from a Touch-Tone™ telephone will allow the user to control the output relays by pressing a Touch-Tone™ number. (Factory default is 6 to actuate relay 1.) When the user calls the TEC, the TEC will ring, go off hook and send a ¼ second tone. Entering the proper control password will allow access to the output relays. This also allows relay latching functions.

The (Optional) 12 volt DC .8 A/hr internal battery (B12V) is recommended for line stability. The battery is NOT required for memory storage. SES supplies the TEC with a 16.5 vac transformer that will operate the TEC and recharge the optional internal battery.

DO NOT CONNECT ANY OTHER DEVICES TO THE BATTERY.

ENVIRONMENTAL CONSIDERATIONS

Indoor or Outdoor: The standard TEC housing is suitable for indoor or outdoor installations. For semi-flush installations, contact SES about the optional flush ring (OPTFLR). For surface mount installations, contact SES for the optional trim ring (OPTSL-2). Optional pedestal mounts for curb (PST236), or street (PST242).

ELECTRICAL REQUIREMENTS

Power: The TEC uses 16.5 volt ac 50/60 Hz. SES supplies a 16.5 vac transformer with each purchase in the U.S. only. The installer may choose to provide their own 12 volt 300 - 600 ma. DC supply (for TEC only depending on model type, will not also power card readers). **YOU CAN NOT USE AC TRANSFORMER AND DC SUPPLY AT THE SAME TIME.**

Ground: The TEC must be connected to a good earth ground with at least # 16 ga. stranded wire. This wire **MUST** be a minimum of 16 ga. connected to a ground rod or cold water pipe at one end, and to the provided ¼ -20 bolt at the TEC end. The maximum wire length is 50 feet. Surge damage protection built into TEC diminishes if you do not provide an adequate earth ground.

Relay capabilities: 24 volts AC or DC at 3 amp. Form "A" (N/O) OR Form "B" (N/C) contacts are present for all relays.

Gate controllers: Some solid-state gate controllers react to the over-voltage protection devices used on all SES products. This is a gate controller dependent problem. The symptom is an intermittent gate open, or gate stuck open condition, sometimes occurring after using the latching function. If this occurs, add an external relay controlled by the TEC output relay contacts to your gate system (OPTKFRMC) . This will help isolate the contacts going to your solid state gate controller from the over-voltage protection devices.

Pedestal Mounting: For installations where the TEC will be mounted on a pedestal, a ground rod **MUST** be installed immediately adjacent to the TEC. In addition, a ground wire of at least # 14 gauge wire must be used from the ¼-20 ground lug mounted in the back of the TEC back-box to the ground rod clamp. This ground wire is to be no more than 25 feet in length, and should have no sharp bends in the wiring.

TECHNICAL DATA

- POWER INPUT: 16.5 VAC 20 VA UL LISTED TRANSFORMER (PROVIDED).
- EMERGENCY BATTERY: 12V .8 A/HR GEL CELL ON CONSTANT CHARGE (OPTIONAL).
- TELEPHONE LINE: VOICE GRADE RJ-11C JACK.
- SHIPPING WEIGHT: APPROXIMATELY 15 LBS. (TEC 2 & 4 only)
- CONSTRUCTION: FRONT PANEL: 16 GA. STAINLESS STEEL (TEC 2, 4 & 8 only).
- BACK BOX: PAINTED CHEMICALLY TREATED ALLOY ALUMINUM.
- OPERATING ENVIRONMENT: TEMPERATURE: -20° F (-6°C) TO +160°F (70°C)
- RELATIVE HUMIDITY: 5% - 95% NON-CONDENSING.
- VISION TEMPERATURE: -32° F (-0°C) TO +122°F (50°C)
- RELATIVE HUMIDITY: 5% - 95% NON-CONDENSING.
- RELAY OUTPUT: FORM C DRY CONTACTS 24V @ 3 AMP.
- MOUNTING: SURFACE OR SEMI-FLUSH.
- MEMORY TYPE: NON-VOLATILE.
- TONE DETECTION: CRYSTAL CONTROLLED, WILL DETECT SHORT BURST 50 MILLISECOND TONE.

INSTALLATION INSTRUCTIONS**NOTE THE FOLLOWING BEFORE ATTEMPTING ANY INSTALLATION:**

1. Never install telephone wiring during a lightning storm.
2. Never install telephone jacks in wet locations unless the jack is specifically designed for wet locations.
3. Never touch un-insulated telephone wires or terminals unless the telephone line has been disconnected at the network interface.
4. Use caution when installing or modifying telephone lines.
Installation of TEC requires coordination with your telephone company. SES recommends that a Touch-Tone™ line be installed to allow much faster dialing. If a Touch-Tone™ line is not available, the TEC can be reprogrammed to dial out pulse (rotary) signals.
The phone company may require the following information:
The ringer equivalence number.
The FCC registration number.
These numbers are on the label on the inside door of the TEC.
The desired location of the telephone jack must be given to the phone company at the time you order the phone line.

INSTALLATION PROCEDURE

- 1) The TEC should be mounted approximately 52 inches above finished floor to the center of the TEC. For drive up applications, TEC should be mounted approximately 42" - 48" above finished flooring to the center of TEC. Hand set units should be mounted 40" - 46" above finished floor to help comply with the Americans with Disabilities Act (ADA).
- 2) To surface mount the TEC, mount the back-box using the holes provided.
- 3) To flush mount the TEC, cut a hole the size of the back box (9 ½" wide X 13 ½" high) in the wall. Mount the TEC in the hole. **LEAVE ½" CLEARANCE FROM THE REAR OF THE DOOR TO THE WALL SO THE DOOR WILL OPEN.**
- 4) We recommend an optional weather hood (WH) when mounting TEC in a stand-alone application, to protect it from direct exposure to rain and snow.
- 5) The TEC MUST BE AT EARTH GROUND POTENTIAL. Connect a #16 stranded or larger wire from the ground lug mounted on the back-box of the TEC to a cold water pipe or other suitable ground. This wire should be less than 50 feet in length.
- 6) Connect the wires for the power connections to TBS-5 and TBS-6, as shown on Pg. 7. Connect the other ends of the wires to the screws on the supplied transformer (16.5 vac).

**Recommended wire gauge is as shown: 16 ga. up to 50 feet.
14 ga. up to 100 feet.
For unusual distances or requirements please consult factory.**

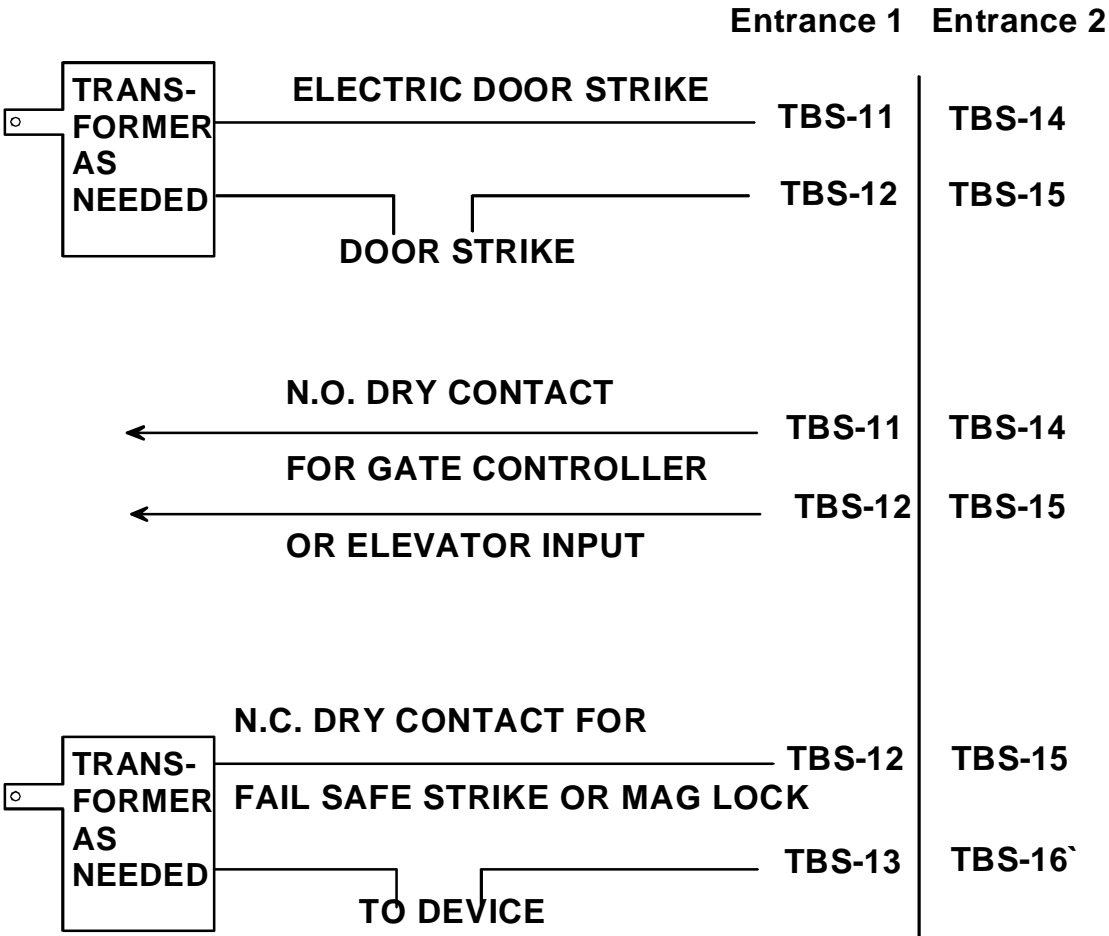
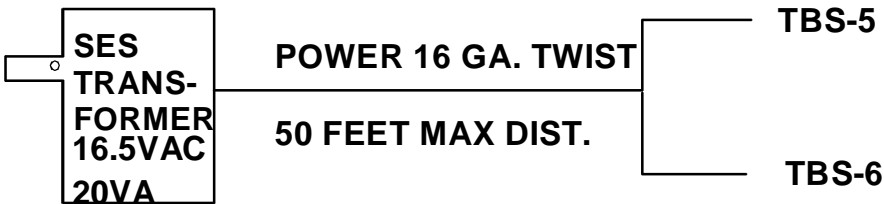
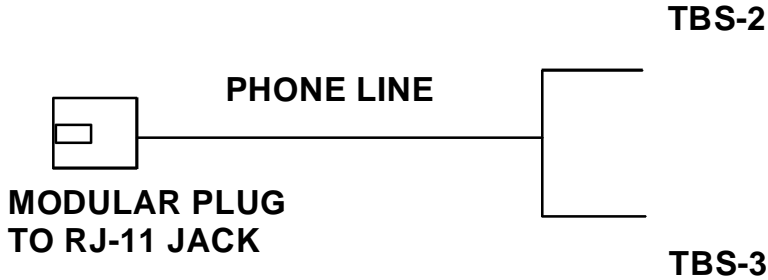
- 7) The output contacts for entrances 1 & 2 are Form A or B. If you are using the N.O. contacts on the entrance 1 relay, connect the wires from the controlled device to TBS-13 and TBS-14, as shown on Pg. 6. To use the N.C. contacts, move the jumpers on J201-1&2 as shown on Pg 8. Wire entrance 2 relay to TBS-15 and TBS-16 and J202-1&2 in the same manner. For Entrance 3 & 4 relay connections, see Entrance 3 & 4 control on Page 15.

NOTE: THE RELAY CONTACTS ARE RATED FOR 24 VOLTS AC OR DC AT 3 AMPS MAXIMUM.

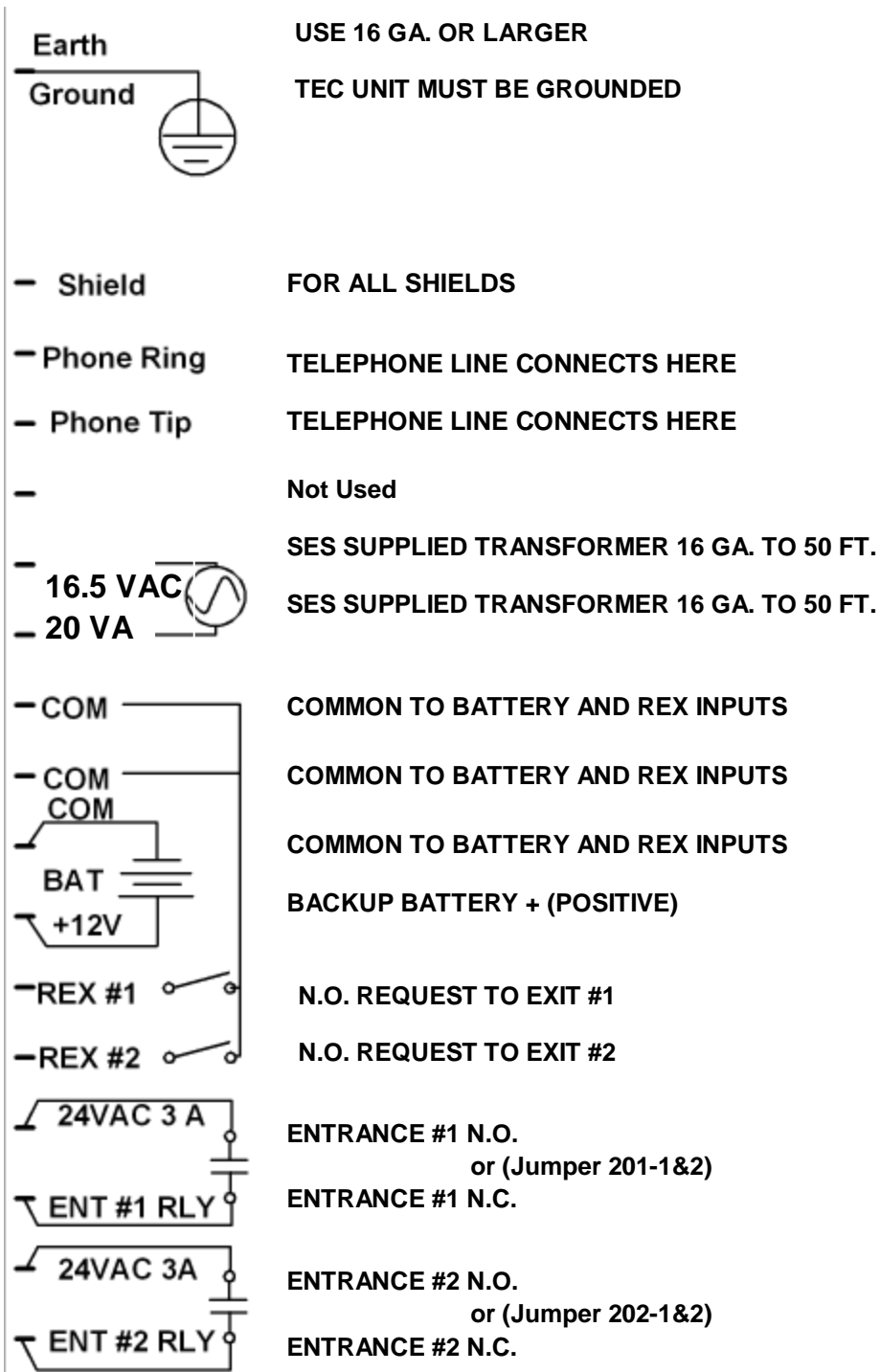
- 8) Connect the modular plug for the telephone line to the RJ-11 jack provided by the phone company. No other telephones or equipment should be on this line. If attaching multiple TEC's to a single phone line, the optional OPTKMUI (Multiple Unit Interface) may be purchased. For further information, see Section on Page 23.
- 9) All wire openings, or any penetration of the TEC enclosure should be sealed in accordance with the National Electrical Code or local ordinances.
- 10) This completes the installation.

INSTALLATION INSTRUCTIONS
WIRING HOOKUP CONNECTIONS

TBS = TERMINAL BARRIER STRIP

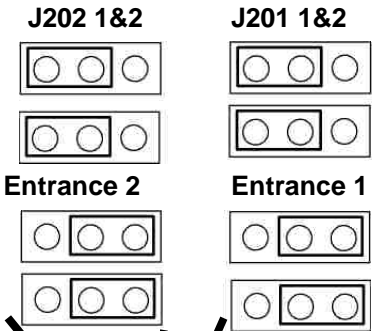


TERMINAL BARRIER STRIP CONNECTIONS



Entrance 1 and 2 Relays can be reconfigured to Normally Closed Contacts. See page 8 for details on jumper changes.

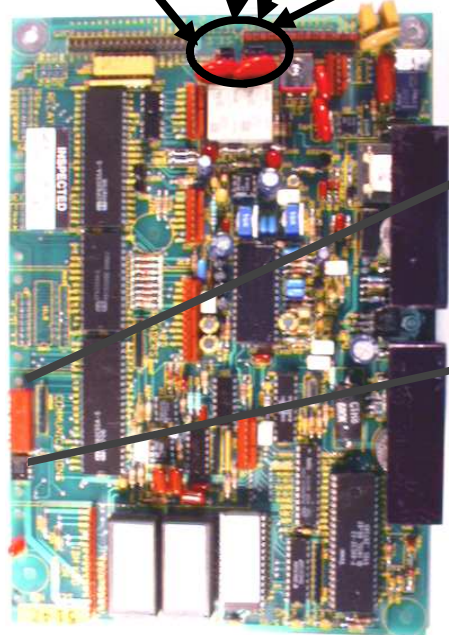
INSTALLATION.



Shown N/C Move both jumpers for each relay to make N/C

Relay Jumper Selections
 (J201-1&2 for Entrance 1)
 (J202-1&2 for Entrance 2)

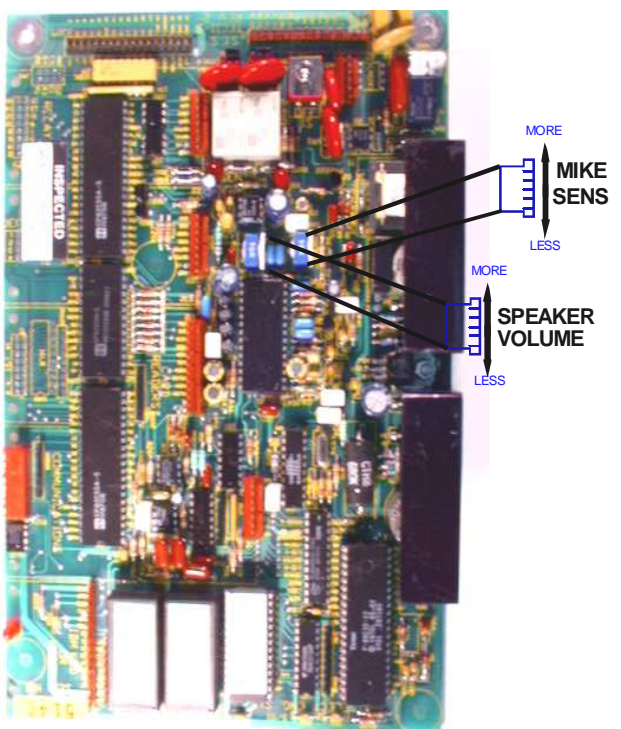
Shown N/O Move both jumpers for each to make N/O



1	— PROGRAM ENABLE	FACTORY SETTINGS DO NOT CHANGE
2	— SPKER ENABLE	
3	— ALWAYS OFF	
4	— ALWAYS OFF	
5	— CARD DIAG.	
6	— 2 RDR-OFF/ 4RDR-ON	
7	— ALWAYS ON	
8	— RESET	

DIP SWITCH (SW1) SELECTION DESCRIPTIONS

SPEAKER AND MICROPHONE ADJUSTMENTS



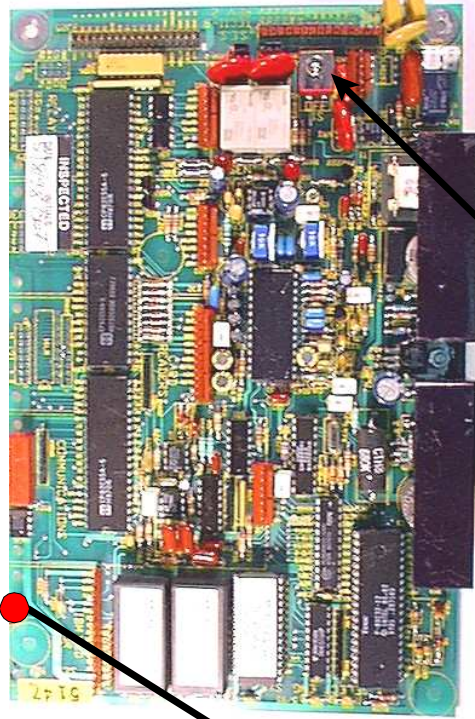
NOTE:
 MIKE SENSITIVITY AND
 SPEAKER VOLUME
 INTERACT WITH EACH
 OTHER. IMPROPER
 ADJUSTMENT WILL
 ADVERSELY AFFECT
 PERFORMANCE AND/OR
 OPERATION.

TEC Series v 3.2X

POWER SWITCH LOCATION

POWER
CONNECTOR

PHONE LINE
POLYSWITCHES



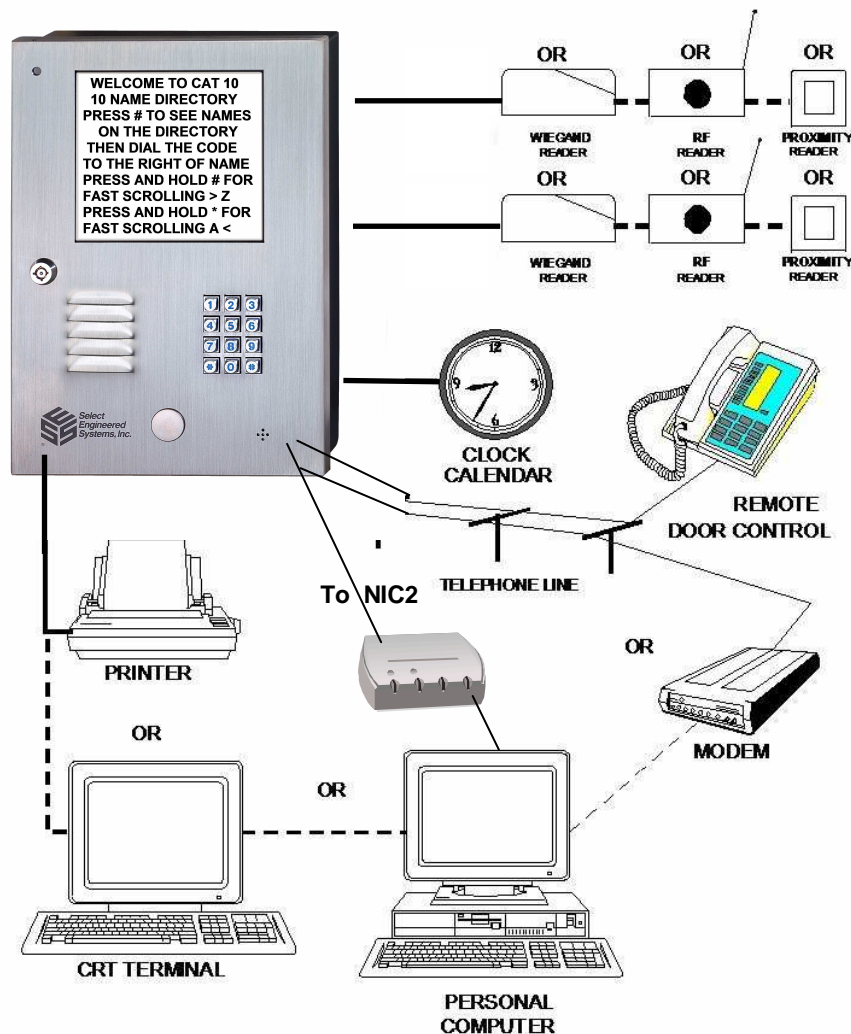
POWER SWITCH
TURN OFF BEFORE
INSTALLING OR
REMOVING
ACCESSORIES.

POWER LED

ACCESSORIES OVERVIEW

Although some options are not shown, available options are:

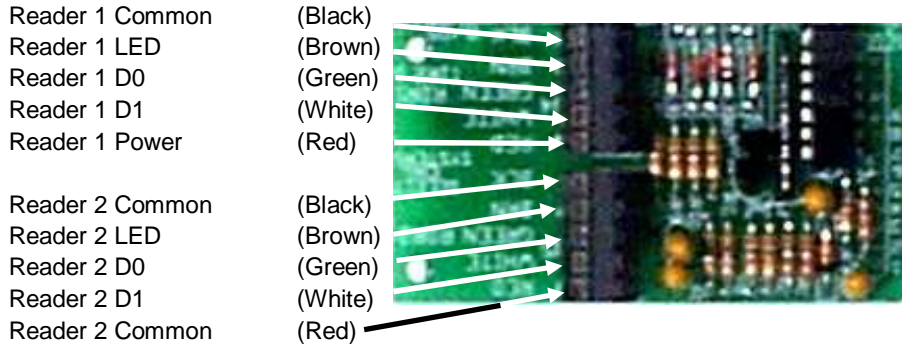
- External Card reader(s) input (2 or 4 Readers)
- Wiegand, Proximity, RF Transmitter, Barcode (Wiegand output).
- Several reader technologies using Wiegand format signals are available, including Wiegand, Proximity, RF Transmitter, and Long Range Proximity Readers. Wiegand output keypad controllers also may be used in some situations. Contact the factory for particulars on Wiegand output keypads.
- Second signal relay (OPTK2R) has functions for shunt activation and 2 REX inputs.
- Third signal relay (OPTK3R) has functions for CCTV activation, alarm output and 2 tamper inputs.
- Standby batteries (OPTB12V).
- 56k baud modem (OPTKMODEM56).
- RS-232 port or Current Loop for printer, terminal or computer connections (OPTKPRT)
- Serial Baud rates to printer and/or remote terminal (CRT) 300, 600, 1200, 2400, 4800, 9600, 19200
- Current Loop baud rates- 300, 600, 1200, 2400, 4800, 9600
- NIC Card for Networking connections for monitoring and programming
- Multiple units can share same telephone line, via MUIs (OPTKMUI).
- Two minute "sleep" function to allow programming up to 4 TECS with modems.
- Third signal relay (OPTK3R) has functions for CCTV activation, alarm output and 2 tamper inputs.
- Lighted Hood for greater night time visibility



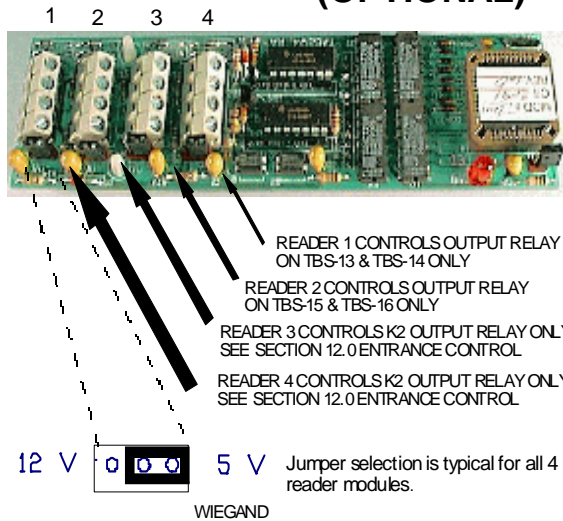
TEC Series v 3.2X

ACCESSORY INSTALLATION WIEGAND INPUT MODULES (OPTIONAL)

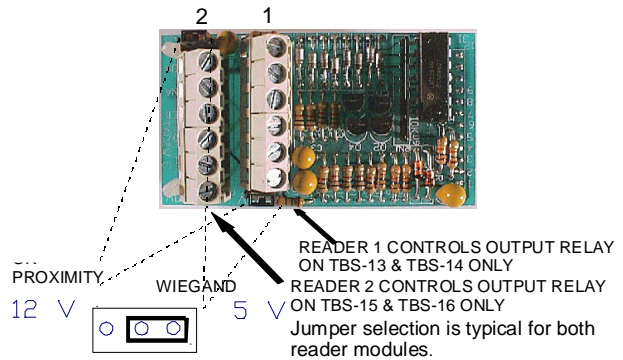
The TEC OPTIONALLY can be equipped with two or four internal card reader inputs. The card reader modules work with 26 or 30 bit Wiegand format bit streams. There are no LED drive indicator signals on the 4 door reader. Belden 9941 is used to connect readers to the card reader modules.



(OPTIONAL)



CARD READER VOLTAGE SELECT



For older style readers still in use, above are the jumper settings for voltage select.

PROXIMITY

There are jumpers on the card reader board to select 5 or 12 volts for various reader types. Many WIEGAND swipe, insert or key readers are 5 volts. Many RF, PROXIMITY and INFRARED readers are 12 volts. If the readers and the card option were purchased together, this has already been configured. If not, see the diagram to select the appropriate card reader voltage setting. Check with the manufacturer of your card reader for correct voltage selection.

Note that the card reader and relay assignments cannot be mixed. Card Reader 1 will ALWAYS control the first relay. This is the relay on the terminal barrier strip to the left of the mother board. Card Reader 2 will ALWAYS control the 2nd relay output on the terminal barrier strip to the left of the mother board. The maximum distance for WIEGAND readers is 500 feet. Belden #9941 or close equivalent must be used for card reader signals. The maximum distance for RF, PROXIMITY, or INFRARED readers is 100 feet, using Belden #9941. For distances up to 500 feet use Belden # 83656, or close equivalent.

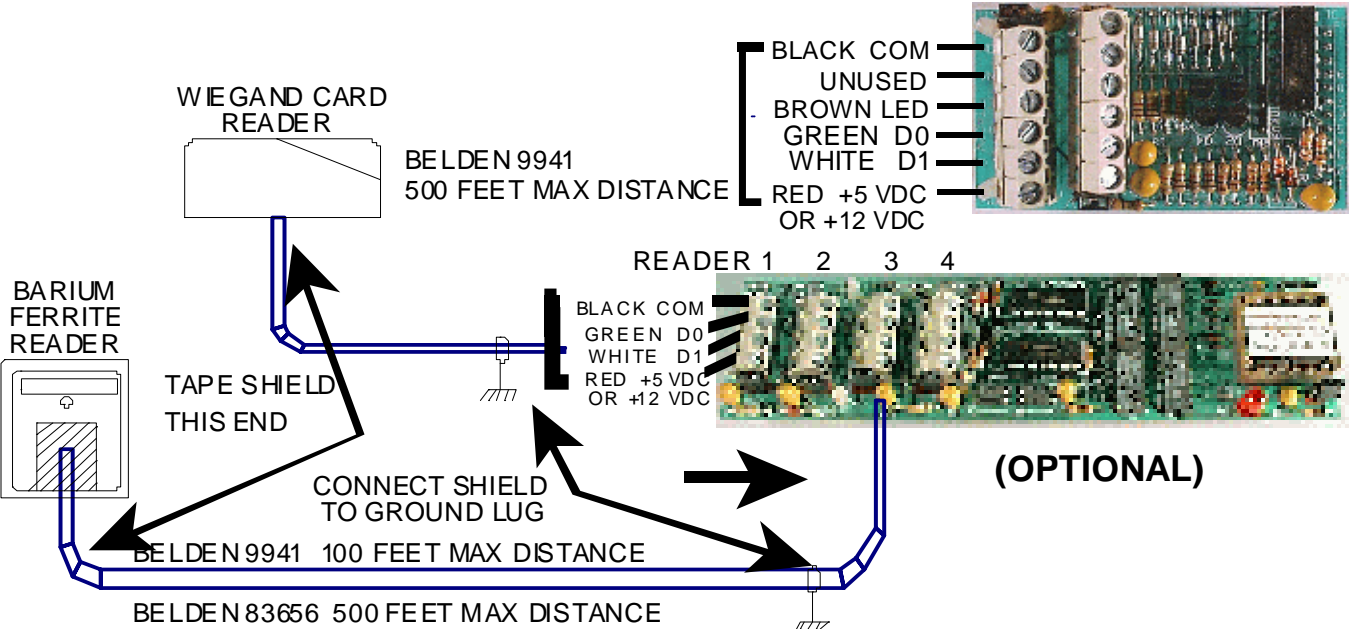
The maximum power consumption available for using on-board power supply is 125 ma. per reader. For readers with greater power requirements, an external power supply MUST be used.

ACCESSORY INSTALLATION

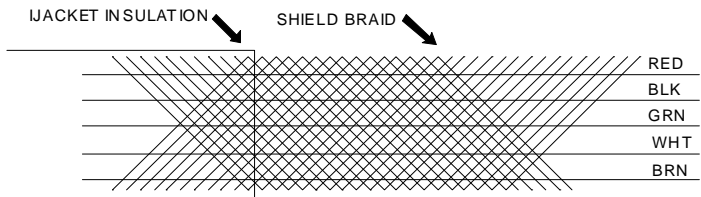
GROUNDING CARD READER WIRING

NOTE: DO NOT WIRE ANY PORTION OF THE CARD READER "HOT." REMOVE ALL POWER BEFORE WIRING ANYTHING TO THE CARD READER.

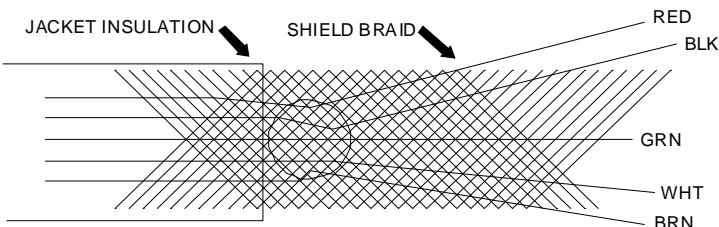
READER 2 1



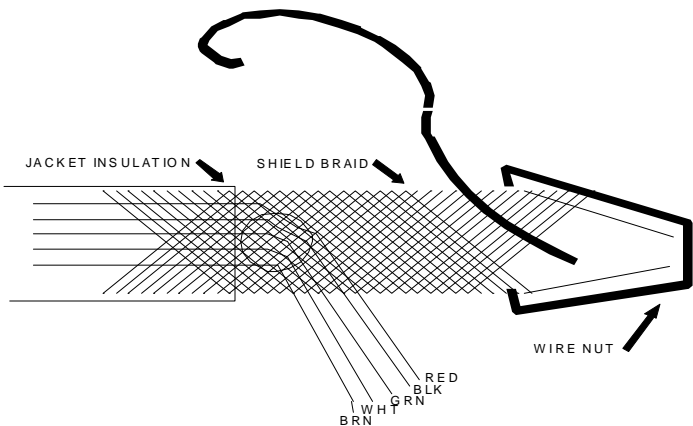
(OPTIONAL)



Strip away 3 inches from the outer jacket, as shown at left.



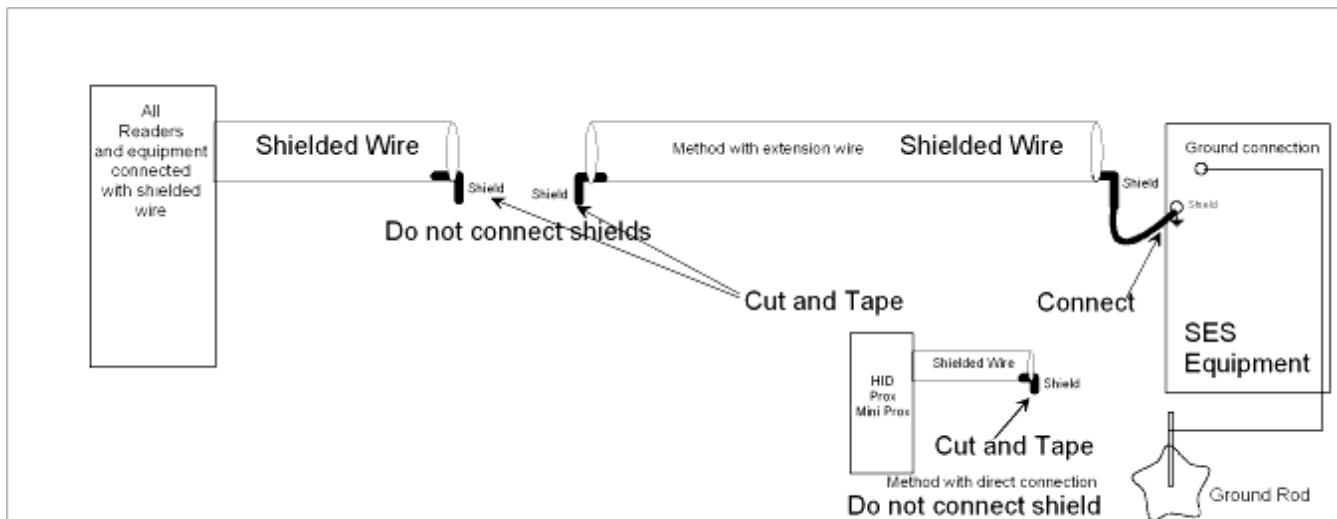
Poke a hole in the braid as shown at left. Spread the braid open, so the conductors are visible. Peel the conductors out, taking care not to damage the insulation on the conductors.



Attach an insulated #18 gauge stranded wire to the shield with a wire nut. Allow enough length for the insulated #18 wire to reach the ground lug in the back of the TEC back box.

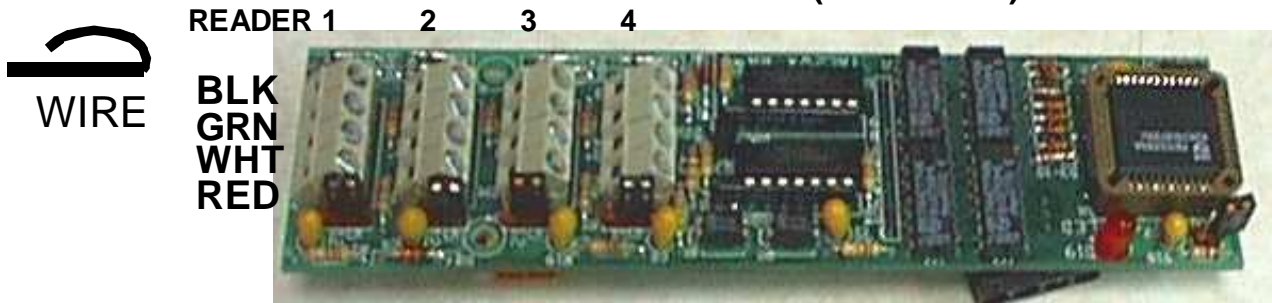
Tape the shield from the cable to the wire nut to prevent shorting to any components on the TEC PC board.

CONNECTING CARD READER WIRING



As the above drawing shows, grounding the card reader correctly is very important. Since the ground lug for the TEC is near the top of the unit, take care to avoid shorting the card reader cable shield to components on the mother board.

(OPTIONAL)



Strip 3/16" insulation from the conductors. Fold the stripped portion of the conductor over the insulated portion. Insert the wire in the clamps of the screw terminals on the card reader board and clamp down by screwing the terminal screw tightly. This ensures a good mechanical connection and an electrical connection that will keep the small wires from breaking.

SETTING WIEGAND FORMAT

While there are several Wiegand output formats, the two used by SES are 26 and 30 bit Wiegand output. The factory default from SES is 30 bit output. To set the bits to 26, enter 260 as a site code number (See Pg 37) To set the bits to 30, enter 300 as a site code number. Neither of these numbers will change the existing Site code.

SITE CODE

To keep a card (for example card number 12345) from being used from another facility, a Site Code is set in the TEC. This is the same as a Facility Code would be in a commercial card reader installation. Set the Site Facility Code using Pg. 37

If the Site code (of the cards) is not known, turn on #5 on the dip switch on the main PC board. This will display card errors on the LCD screen on the front door. Swipe a card through a reader and read the site code error information on the LCD display to determine the Site code. After the Site code is entered turn switch 5 off, to keep swiped card numbers confidential.

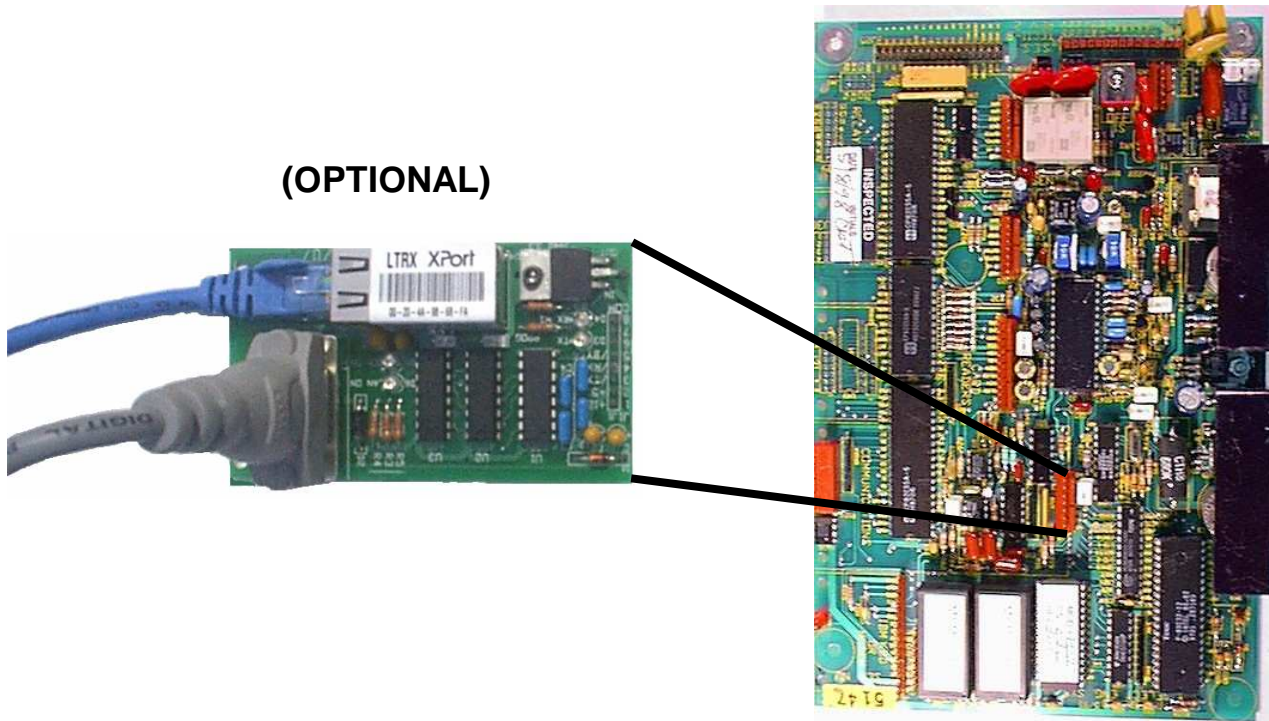
To have the TEC unit ignore the site code completely, enter 255 as a site code. This diminishes the security of the facility, as a card from some other facility that was coincidentally the same number as a valid card, could operate the reader. This is sometimes necessary when mixing card technologies on a site, but should only be done as a last resort.

NIC2 CARD

The NIC (Network Interface Card) provides a plug-in TCP/IP interface for all CAT and TEC products.

- TCP/IP network compatible ONLY.
- Compatible with all CAT products.
- Compatible with TEC products running Selcom 7 or newer *
- Compatible with TEC1.
- Requires the end user to have a qualified network manager for setup.

See the NIC2 Card Instruction for further Info.



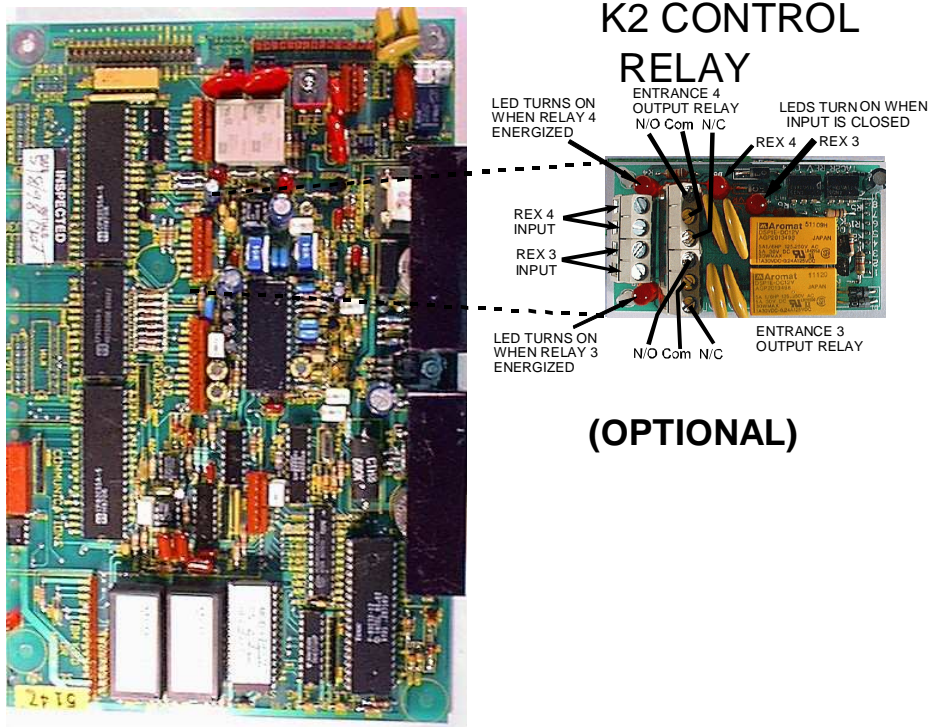
The SES Network Interface is used to provide a Programming and Data connection to a SES CAT or TEC Telephone Access Controller through a local area network. The SES Network Interface provides for conversion of the standard serial interface in the SES CAT or TEC controller to a TCP/IP connection. All portions of the connection must operate at the same speed and connectivity settings. We are pre-setting the selections to 9600 baud, 8 bits, no parity, 1 stop bit.

Each interface is provided with a unique hardware address. The network system administrator provides an IP address that is assigned to the unique hardware address. Each SES Network Interface is then assigned a unique port address on the network. A standard range of port addresses is provided, that are normally not used in most networks, but the actual address(es) used should be cleared by and approved by the network system administrator.

The Com Port Re-Director provides a means of using the IP address as a directed serial com port. An unused port number is chosen in the computer and assigned to the IP address of the SES CAT or TEC unit. The actual address(es) used should be cleared by and approved by the network system administrator. The redirected comm port is then selected in older versions of Selcom Software (Selcom Secured 6 or older) for that SES CAT or TEC unit. Selcom Secured 7 and newer can directly address TCP/IP addresses and a comm port redirector is not required.

ENTRANCE 3 & 4 CONTROL

Use the K2 control relay module included to control the 3rd and 4th entrances.

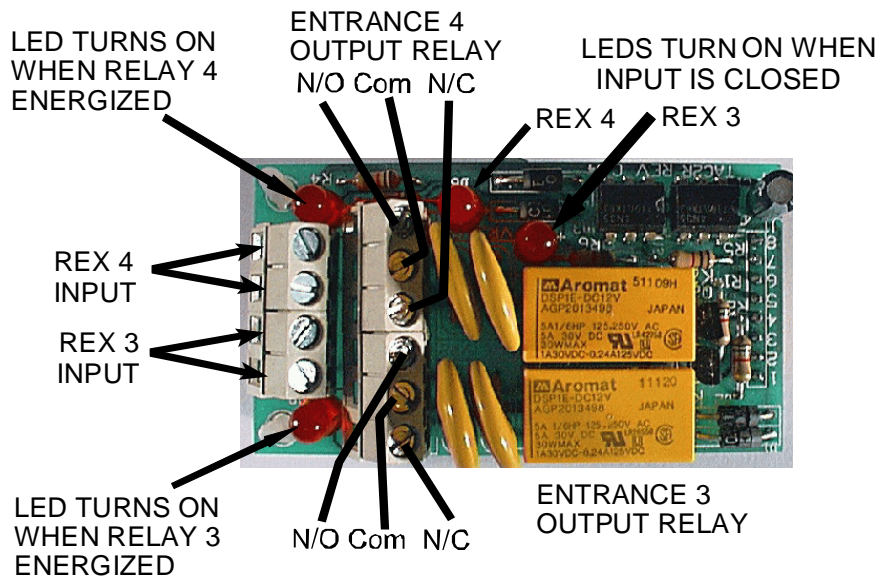


K2 CONTROL RELAY

(OPTIONAL)

The relay capabilities are 24 volts AC or DC at 3 amps. Form "C" (N/O) AND (N/C) contacts are on the control output relay for controlling devices.

If additional current and or higher voltage capabilities are required, it is recommended that the control relay be used to control a larger relay or contactor. For further questions, consult the factory.

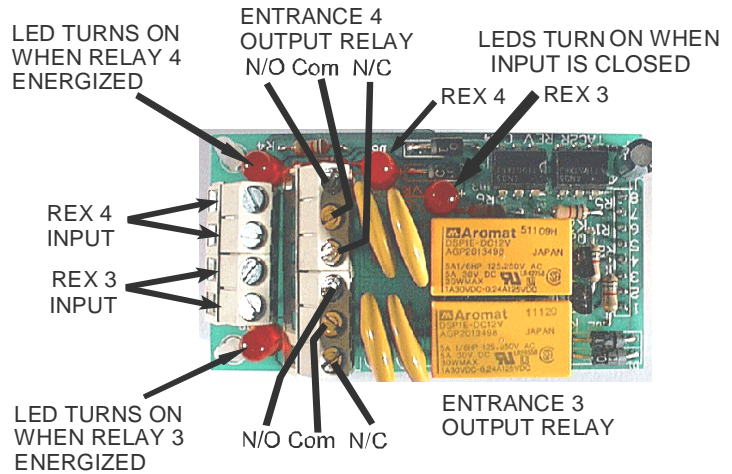


(OPTIONAL)

ACCESSORY INSTALLATION.

ENTRANCE 3 & 4 CONTROL continued..

The REX3 (REquest to eXit) and REX4 signal inputs are "dry" contact inputs only. These inputs are normally open and actuate the relay upon contact closure. To simplify troubleshooting in the field, an LED indicator lights whenever the input signal is closed.



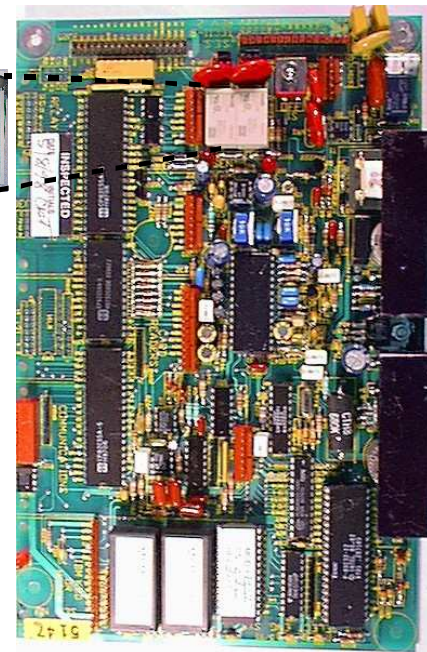
(OPTIONAL)

K3 CONTROL RELAY

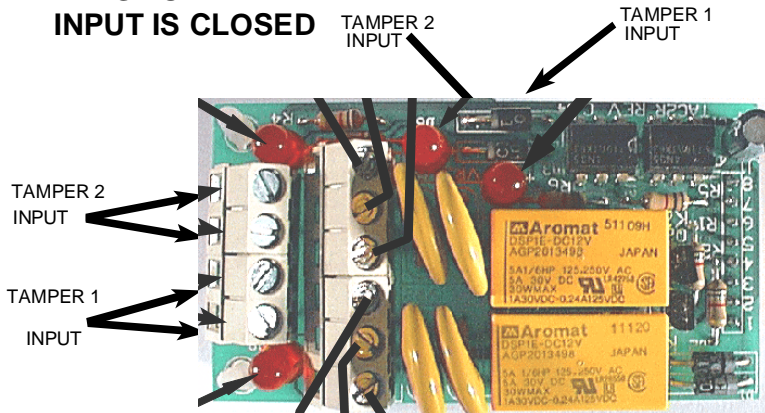
The optional (OPTK3R) K3 relay is a control & alarm relay module. The control relay is used to control a device any time the TEC is taken off hook. Applications for the control relay of this option include using CCTV equipment with the TEC, or controlling lighting that turns on whenever the TEC is being used for communications. The alarm relay turns on immediately whenever either tamper input on the OPTK3R card is closed. The relay capabilities are 24 volts AC or DC at 3 amp. Form "C" (N/O) or (N/C) contacts are on the control output relay for controlling devices. If additional current capacity or higher voltage capacity is required, it is recommended that the control relay be used to control a larger relay or contactor. For further questions, consult the factory.



K3 CONTROL RELAY



LEDS TURN ON WHEN INPUT IS CLOSED



(OPTIONAL)

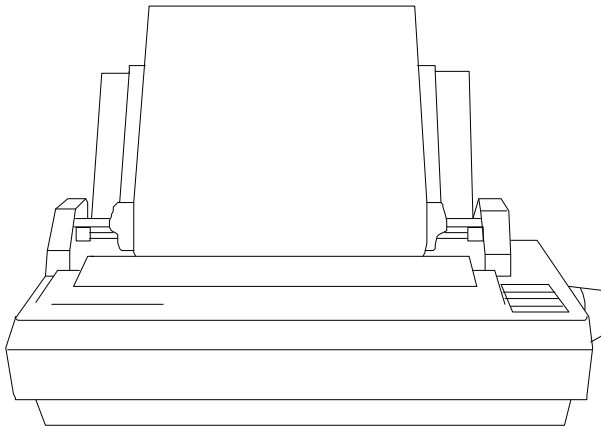
The two tamper signal inputs are "dry" contact input only. These inputs are normally open and actuate the alarm relay upon contact closure. To simplify troubleshooting in the field, an LED indicator lights whenever the input signal is closed

NOTE: TAMPER INPUT SIGNALS REPORT "CLOSED" AND "OPEN" STATES TO THE LOGGING PRINTER.

NOTE: When the alarm time is set to "0" the K3 relay function changes to the "Shunt" function and the inputs change to "Door Sense" inputs for Entrance 1 & 2 when a four input wiegand reader module is attached.

SERIAL PORT ADAPTER

PRINTER The optional RS-232 serial port adapter (OPTKPRT) may be used to send information from the TEC to a serial printer. Information may be transmitted to the printer at rates from 300 baud to 19200 baud. Baud rate may be selected from the communications setup menu. Because TEC printer messages are relatively short, a busy signal control is usually not required. The busy signal is only active for systems that have a transaction buffer (See Pg. 20). If the BSY signal is used it can be inverted from high going to low going as required by some printers by removing jumper J-3. The only connections usually required for a printer are RX (Received Data, pin 3) and GROUND (pin 7). Connect the TX terminal on the serial port adapter to the input of the printer. It may be called RX, RCV, Data In, or some other label. Connect the serial port adapter ground to printer ground (may also be called common).



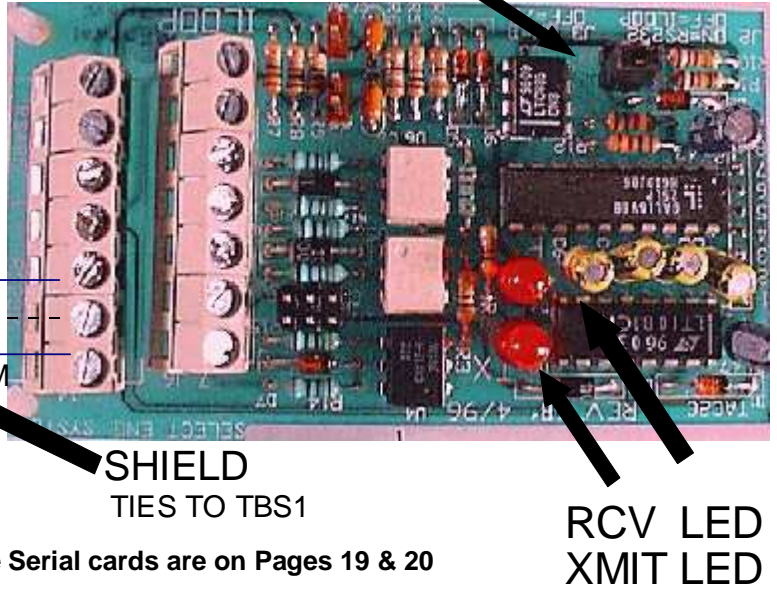
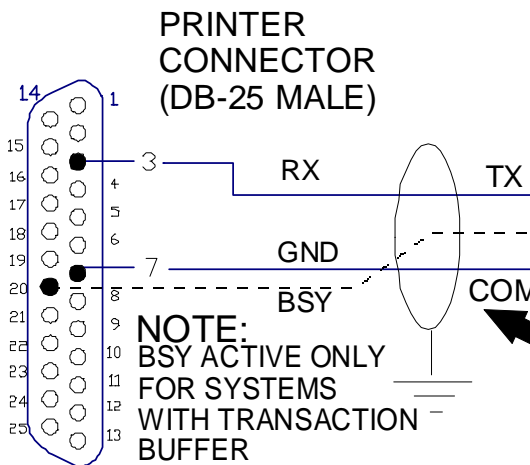
THE PRINTER SHOULD BE SET TO 8 BITS, NO PARITY BIT, AND 1 STOP BIT (8,N,1).

Consult the manual for your printer to set your printer to these parameters. SES has an optional printer that is set correctly at the factory. Because of the wide variation in printers on the market, SES cannot make specific recommendations for printers that are not purchased from SES.

(OPTIONAL)

NOTE: SHIELDED CABLE MUST BE USED AND THE SHIELD MAY NOT BE USED AS A SIGNAL PATH.

J2 MUST BE JUMPED



NOTE: BSY ACTIVE ONLY FOR SYSTEMS WITH TRANSACTION BUFFER

New Style Serial cards are on Pages 19 & 20

PRINTER REPORTS AND MESSAGES

If a printer is attached to the TEC, this start up message will print when the TEC is first powered on.

S.E.S. TEC 2R
 VER 3.XX (where X.XX is a version and revision number)
 00:00/00/00 (where 00:00 is the time, and 00/00/00 is the date.)

The time and date may not be correct until the time and date are set. See Pg. 39, SETTING TIME DATE to set the clock.

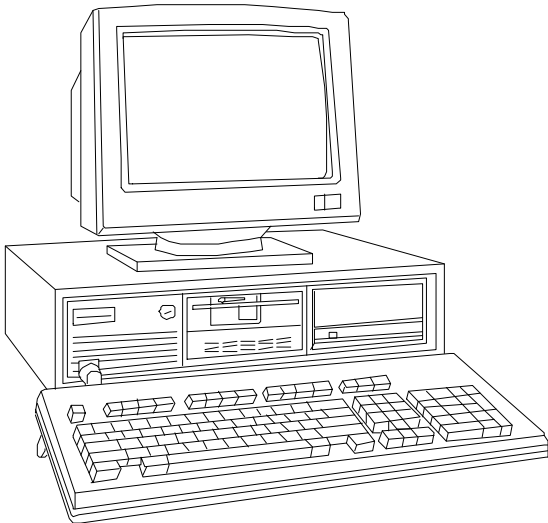
ACCESSORY INSTALLATION**PRINTER REPORTS AND MESSAGES continued**

Some examples of typical logging report messages are shown below.

```

PROGRAMMING MODE ENTERED ON KEYPAD 00:00/00/00
EXIT PROGRAMMING MODE 00:00 00/00/00
ENT 1 LATCHED OPEN BY CLOCK 00:00 00/00/00
ENT 2 LATCHED OPEN BY CLOCK 00:00 00/00/00
CARD 00790 CODE 003 MORRIS, NORMAN ENTRANCE 1 OPEN 00:00 00/00/00
CARD 01291 CODE 002 DAVIS, JIM LEVEL NOT SET READER 2 00:00 00/00/00
CODE 004 SHEPARD, JULIUS DIALED 00:00 00/00/00
CODE 004 SHEPARD, JULIUS ENTRANCE 2 OPEN 00:00 00/00/00
ENT 2 LOCKED 00:00 00/00/00
CARD 00257 CODE 003 DOE, JOHN DAY NOT VALID READER 2 00:00 00/00/00
CARD 00260 CODE 002 CHAVEZ, CAESAR OUTSIDE TIMEZONE READER 2 00:00 00/00/00
CARD 00764 CODE 004 SHEPARD, JULIUS INVALID ENTRANCE 1 00:00 00/00/00
PIN 0001 CODE 001 BROWN, BOB OUTSIDE TIMEZONE ENTRANCE 1 00:00 00/00/00
ENT 1 LOCKED 00:00 00/00/00
CODE 000 PASTOR, JOHN DIALED 00:00 00/00/00
CALLER HUNGUP 00:00 00/00/00
TAMPER 1 CLOSED 00:00 00/00/00
TAMPER 1 OPEN 00:00 00/00/00
PIN 0003 CODE 003 DOE, JOHN DAY NOT VALID ENTRANCE 1 00:00 00/00/00
INVALID CODE 911 ATTEMPTED 00:00 00/00/00
PIN 911 WALLACE, WILL ENTRANCE 1 OPEN 00:00 00/00/00
ENT 1 LOCKED 00:00 00/00/00
INVALID PASSWORD ATTEMPTED KEYPAD 00:00 00/00/00

```

CONNECTING A PERSONAL COMPUTER TO THE SERIAL PORT

The TEC may be remotely programmed by personal computers that already have a terminal communications program. Set the communications parameters to the TEC default, 9600 baud, 8 bits, 1 stop bit, No parity, (8,N,1) going from the COMM port on your computer to the serial board on the TEC. Check the TEC from the keypad on the front of the TEC to make sure that the TEC communications parameters are also set to 9600 baud. If your software supports terminal emulation, set it to VT-100B emulation. If it does not, program the TEC terminal type from VT-100B to "dumb" terminal mode. See Pg. 36. To start communications press the "Esc" (escape) key on your computer. Do not press any other keys until the PASSWORD prompt appears on the CRT screen of your personal computer:

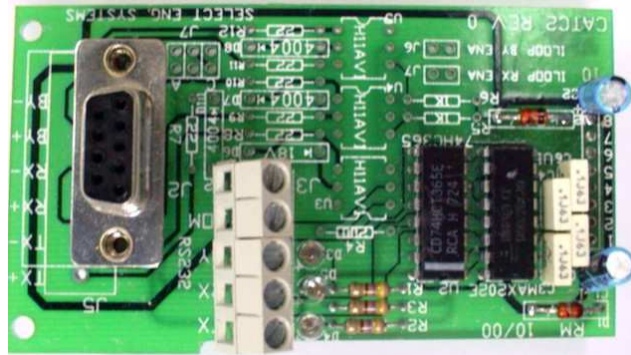
PASSWORD

You have 10 seconds to begin entering the password. If you wait more than 10 seconds before entering the password the TEC will revert back to normal operation and you will have to re-enter the "Esc" key again. All TEC systems leave SES with a factory password of 777777. As the password is entered, the screen will replace each character with an "*" to keep the password confidential. After the password is entered, the main menu will be displayed. If more than 60 seconds elapse without a keystroke, the TEC will disconnect. It will then be necessary to press "Esc" (escape) and start again.

14.2 CONNECTING A PERSONAL COMPUTER TO THE SERIAL PORT

Use with standard DB9 Cable or connect with wire.

Available with 90 degree connector, upright connector (T101 style shown) or current loop.



(OPTIONAL)

If you have any problems getting the "PASSWORD" message on your personal computer, it may be necessary to check your personal computer's operation. The best way is to remove the TX and RX wires from the TEC serial port adapter and temporarily connect them together. This is called "echo" or "loop back" and will verify terminal connections. While operating the terminal software program, pressing a character on the terminal should echo the same character to the screen. Now re-check this by disconnecting the TX and RX wires, and echoing a character. This time, nothing should echo to the screen.

Until you can verify this operation, there is no need to connect the personal computer to the TEC serial board. The most common problems are either wiring disorders or incorrect COMM port selection in the software used by the personal computer.

Once "loop back" has been verified, the LED lights on the serial board can provide information as to system status. The receive (RCV) LED should flicker briefly every time a keystroke is sent from the personal computer keyboard. The transmit (XMT) LED will flicker or remain on every time the TEC sends a signal to the personal computer screen. Have someone access the TEC from the front keypad and print a report. The XMT LED will stay on for the duration of the report.

TERMINAL Connecting a terminal to a TEC series unit is similar to connecting a personal computer. The diagram on the next page shows the connections necessary to operate most CRT terminals with a TEC. Connect ground to the CRT terminal ground. Connect TX from the serial adapter port to RX of the CRT terminal. Connect RX from the serial port adapter to TX of the CRT terminal.

The communications parameters for the terminal to communicate with the TEC are: 8 bits, No parity, 1 stop bit (8, N,1). If your terminal supports emulation modes, set the emulation to VT-100B. If it does not, program the TEC terminal type from VT-100B to "dumb" terminal mode. (See Pg. 36.) The TEC leaves SES set at 9600 baud. Set your terminal to this speed. Belden cable # 9925 (or equivalent) can be run for distances up to 100 feet. For greater distances, consult factory.

After the terminal is connected and powered on, press the escape key <Esc> once. This prompt will appear on the CRT screen:

PASSWORD

You have 10 seconds to begin entering the password. If you wait more than 10 seconds before entering the password the TEC will revert back to normal operation and you will have to re-enter the "Esc" key again.

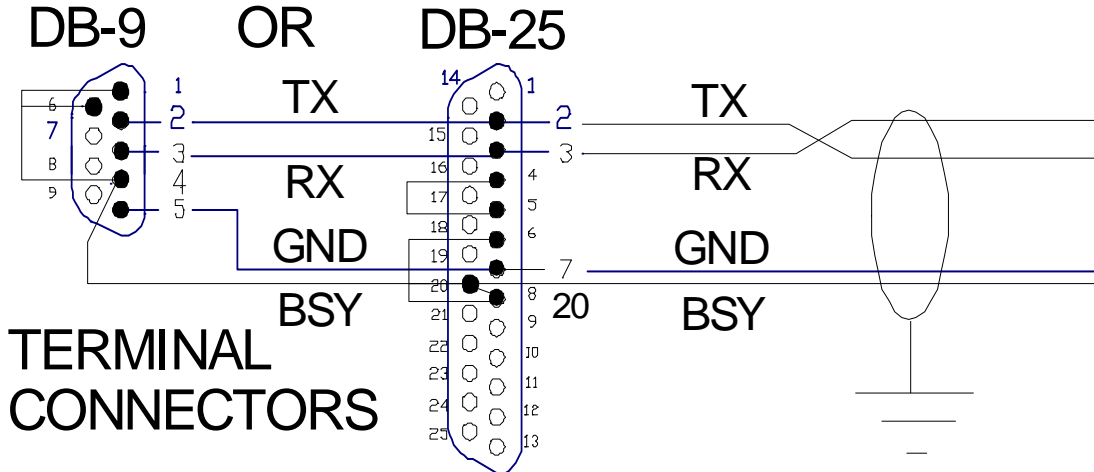
All TEC systems leave SES with a factory password of 777777. As the password is entered, the screen will replace each character with an "*" to keep the password confidential.

After the password is entered, the main menu will be displayed. If you have any problems getting the "PASSWORD" message on your terminal, it may be necessary to check your terminal's operation. Use the procedure above for computer as the communication method is the same.

Some terminals have hardware "handshaking" signals that need to be connected in order to achieve proper operation. Refer to your terminal manual for correct connections. The drawing below shows the most common configuration for terminals, and may be of some use if information for your terminal is not available. The BSY (busy) signal is active only for systems that have purchased the optional transaction buffer (OPTXBUF). Due to the large number of terminals on the marketplace, SES is unable to provide technical support for terminals not purchased from SES.

14. 0 Serial Port Adapter continued

TERMINAL WIRING CONNECTIONS



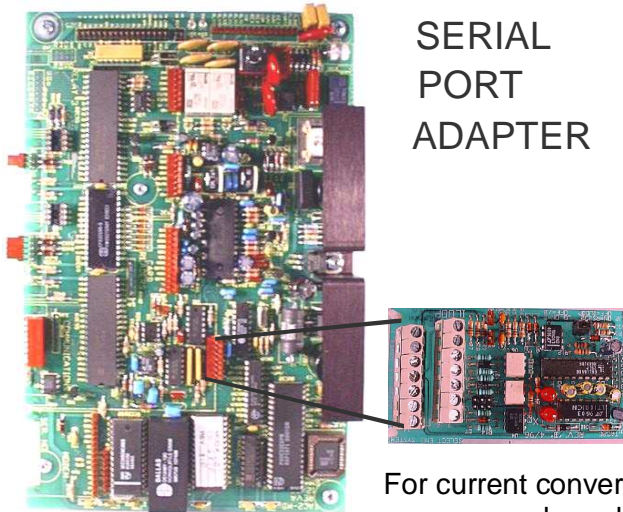
TERMINAL CONNECTORS

CURRENT LOOP

For communications that must occur a longer distance than 100 feet, (but less than 1000 feet) the current loop may be used instead of the RS 232 signals. The three loops supported are the busy loop, the receive loop and the transmit loop.

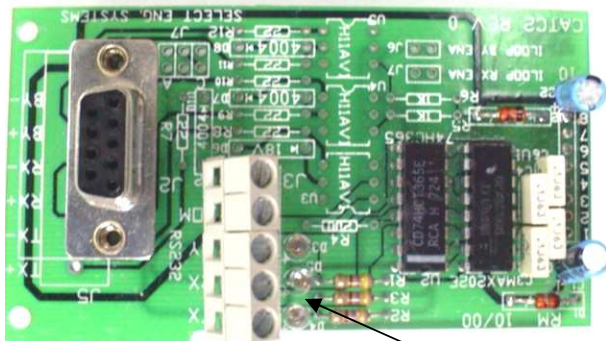
Because TEC printer messages are relatively short, a busy signal control is not usually required. The busy loop is only active for systems that have a transaction buffer (See Pg. 52). The ground and the transmit loop are the only signals usually required for a printer. Information may be transmitted to the printer at rates from 300 baud to 9600 baud. Many serial printers that support current loop, restrict the speed to 1200 baud. Baud rate may be selected from the communications setup menu (see Pg. 52).

SERIAL PORT ADAPTER



For current converters that are not active current sources, a current source may be selected from the board by placing a jumper (for example, a jumper on J7-A for the transmit signal) at J-7. This will provide a current loop source of approximately 20 ma. for a maximum distance of 1000 feet. Each signal that needs a current source requires a jumper as shown below.

(OPTIONAL)



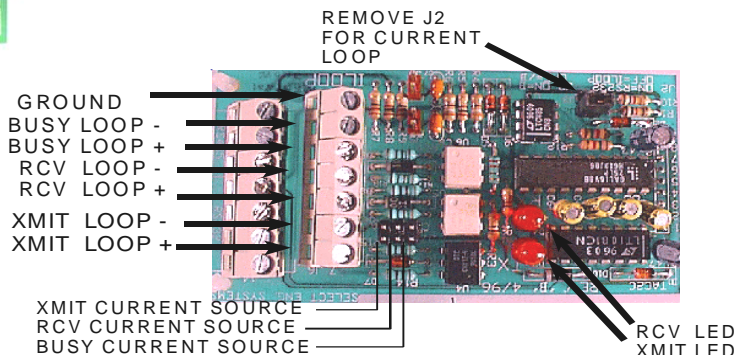
NOTE: SHIELDED CABLE MUST BE USED AND THE SHIELD MAY NOT BE USED AS A SIGNAL PATH.

(OPTIONAL)

Use with standard DB9 Cable or wire.

Send Receive Lights

Available with 90 degree connector, upright connector (T101 style shown) or current loop.



TEC Series v 3.2X

CURRENT LOOP continued

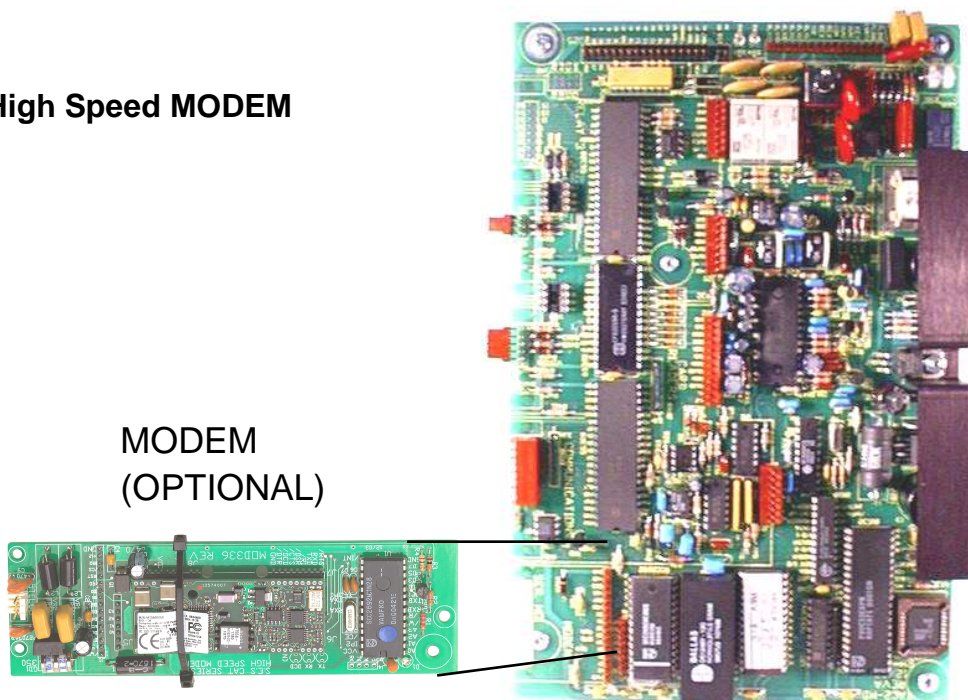
A recommended cable is Belden # 8770. The shield connects to the ground lug on the terminal barrier strip inside the TEC housing (see Pg.7).

Whenever a signal is transmitted from the TEC to the printer the lower TX (transmit) LED will blink briefly. The transmit and receive LED's should help in connecting and troubleshooting serial port connections. For use as a terminal, the transmit (XMIT) and receive (RCV) loops must be connected to the appropriate current loop converter. After the terminal is connected and powered on, press the escape key <ESC> once. This prompt will appear on the CRT screen:

PASSWORD

You have 10 seconds to begin entering the password. If you wait more than 10 seconds before entering the password the TEC will revert back to normal operation and you will have to re-enter the "Esc" key again. All TEC systems leave SES with a factory password of 777777. As the password is entered, the screen will replace each character with an "*" to keep the password confidential. After the password is entered, the main menu will be displayed.

High Speed MODEM

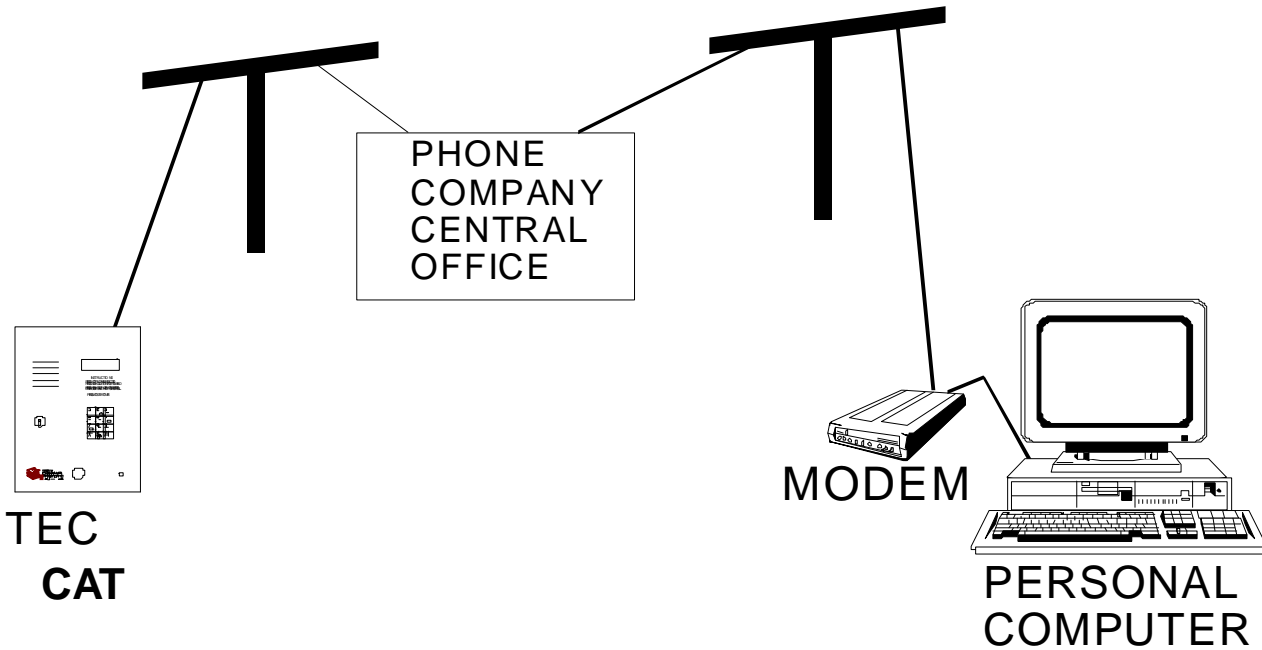


If the 56.6K baud optional modem adapter (OPTKMODEM56K) is installed on this TEC unit. To service a modem on the TEC, toggle the power switch off (or remove the power connector) on the TEC. Next, plug in the modem making sure that both connectors are seated correctly and the nylon standoffs are connected to the main PC board. There is an additional standoff in the lower right corner of the PC board that also has to be mounted. Connect the phone line connector cable at the left edge of the board to Terminals TBS-2 and TBS-3 on the terminal barrier strip to the left of the PC board. This is where the existing phone line to the TEC is also connected. Then, toggle the power switch on (or reconnect the power connector). The modem operates at 1200 through 56.600 baud. The communications protocols for the modem are: 57000 baud, 8 bits, 1 stop bit, No parity (8,N,1).

When the 56.6K baud modem is on, it kills power to the card reader module, since cards can not be used when the TEC is in programming mode.

MODEM COMMUNICATIONS continued

The TEC modem functions like any other modem. It can be called from a personal computer that has it's own modem (either external or internal), and uses some form of terminal communications program, or a CRT terminal connected to a modem.



For computers equipped with Windows, the optional Selcom 7 or newer may be used to control the TEC series unit. This program has many features, including automatic upload (sending information to the TEC unit) and automatic download (getting information from the TEC unit).

COMPUTERS WITH OTHER TERMINAL PROGRAMS

If another terminal communications program is used, interactive control of the TEC is possible, but uploading and downloading of information is not possible. Uploading and downloading requires Selcom 7 or Newer. Set the terminal communications parameters to 8, N,1 and Vt-100 emulation, then call the phone number attached to the TEC. The required dial out prefix for most Hayes™ compatible modems should be ATE1V1S7=180DT and the phone number. If your software supports terminal emulation, set it to VT-100B emulation. If it does not, program the TEC terminal type in Pg. 52 from VT-100B to "dumb" terminal mode. When the personal computer calls the TEC, it will answer after 3 rings (this assumes the factory default of three rings has not been changed). After the modems begin communicating, the message CONNECT XXXX will appear on the screen. If the message CONNECT appears without being followed by XXXX, then the modem has dropped down to 300 baud. Either the phone line signals are noisy or your personal computer modem may be capable of only 300 baud. Next, this prompt will appear on the CRT screen of your personal computer:

PASSWORD

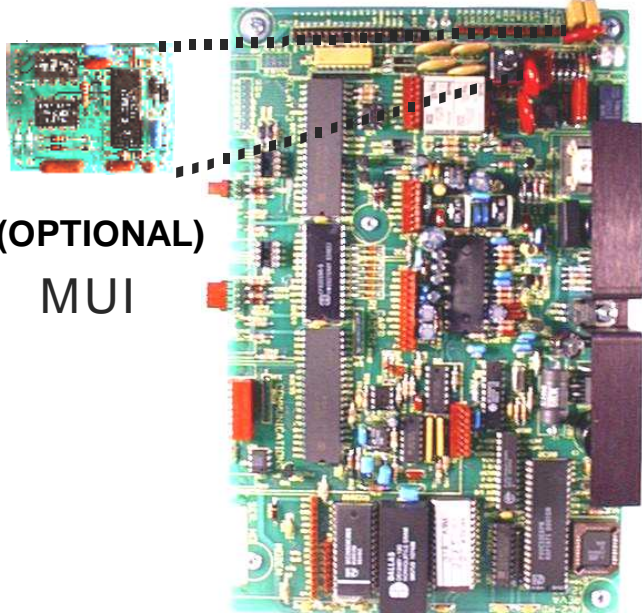
You have 10 seconds to begin entering the password. If you wait more than 10 seconds before entering the password the TEC will revert back to normal operation and you will have to call the TEC again.

All TEC systems leave SES with a factory password of 777777. As the password is entered, the screen will replace each character with an "*" to keep the password confidential. After the password is entered, the main menu will be displayed. If more than 60 seconds elapse without a keystroke, the TEC will disconnect. It will then be necessary to call the TEC again. In order to prevent unauthorized persons from accessing the TEC through a phone line the TEC will disconnect if any keys are entered before the PASSWORD appears on the screen. To exit from programming, press the "Esc" (escape) key. Due to the large number of communications programs, it is not possible for SES to support any terminal communications programs except Selcom 7 or newer.

TEC Series v 3.2X

MUI

The Multiple Unit Interface (OPTKMUI) is an optional device that allows up to 8 TEC's to share a phone line. While it is preferred that each TEC have its' own phone line, it is sometimes necessary to share an existing line for cost effectiveness. Whenever a TEC goes off hook, all other

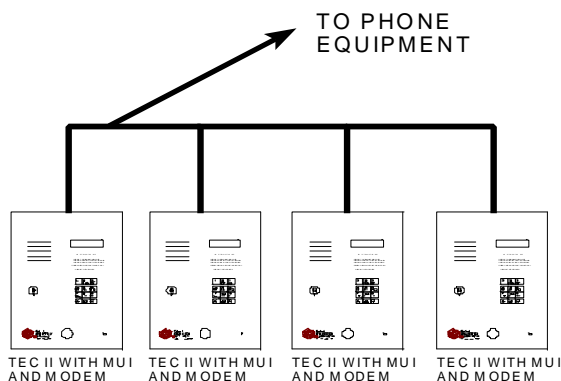


(OPTIONAL)
MUI

TEC units sharing that same phone line will display a "Phone Line Busy Please Wait" message on the LCD display. The MUI also is required for installations that use modems but want to share phone lines with other equipment that also makes use of modems. Something to consider when deciding how many phone lines to get for a multiple unit installation, is the number of residences each TEC will call. This will help determine the optimum number of phone lines in balancing cost versus convenience against anticipated telephone usage. To install a MUI, power down the TEC, and plug the module into the header. MUI's may be attached to their common phone line by running the phone line pair from TEC to TEC, or from some common point to all TEC locations. This provides a lot of installation flexibility.

TWO-MINUTE LOCKOUT

The TEC modem normally disconnects from the phone line when it receives an escape signal after programming has been started. For multiple TEC installations, that share phone lines (using MUI's) it is necessary to temporarily disable the TEC. This is because modems can not currently



share the same phone line (Their signals would interfere with each other). This is handled automatically in Selcom 7 or newer software. For users of other terminal programs, to temporarily keep a TEC that has an MUI from responding, instead of exiting programming with an "Esc" (escape) key, use "Ctrl T." This means to press and hold the Control (Ctrl) key followed by the "T" key. (The "T" key may be lower case, it is not necessary to press the shift key). In the example at left, 4 TEC's are sharing a single phone line. The one at the extreme left has had it's ring count set to 2. The next one is set to ring count 4. The 3rd one is set to ring count 6, and the last one is set to ring count 8. This is the number of rings the TEC will listen to before it answers. To program the 1st TEC,

call it from your computer (or terminal) equipped with a modem. It will answer after the 2nd ring. After programming is completed instead of pressing the "Esc" (escape) key, press "Ctrl T." This will busy out the 1st TEC for up to 2 minutes. Now call the same number again. After 4 rings the 2nd TEC will answer. After programming, exit with "Ctrl T." Calling back a 3rd time will busy out the first 2 TECs and cause the 3rd TEC to answer after 6 rings. After programming, exit with "Ctrl T." Calling back the 4th time will busy out the 1st 3 TECs and the 4th TEC will answer after 8 rings. Exit programming with the "Ctrl T" key. After 2 minutes without the phone line in use, all TECs will be ready to be used for normal operation. Users of Selcom 7 or newer can automate this procedure. Check the Selcom 7 instructions.

The above paragraph on the MUI shows that up to 8 TECs may be connected to a phone line. If TECs are equipped with modems it is recommended that a maximum of 4 TECs be connected to the same phone line. Noise "glitches" on the phone line might be erroneously interpreted as a ring signal by the TEC. Selcom 7 or newer will warn you if the wrong unit connects.

This page left intentionally blank.

Setup refers to configuration of a TEC, usually during installation. This may include how long the door entry time is, or what number energizes the door control relay. Any options such as card readers or automatic unlock and re-lock, are configured at this time. The installer of the TEC generally performs these tasks.

Programming refers to the entry of codes, names, phone numbers, and PINs (Personal Identification Numbers). The end user or customer generally enters the data, and periodically updates it as required.

If the factory defaults shown on Pg. 28 and 29 are adequate for an installation, then the following "Quick Programming" section will give an example of a typical code entry. No explanations about menu selection function will be provided. SES strongly recommends that installers without previous experience in telephone entry control systems read this manual in it's entirety.

QUICK KEYPAD PROGRAMMING EXAMPLE

This example assumes all factory defaults, including factory default passcode 777777 are in the TEC and you have entered no other data. This benefits those with experience installing and programming telephone entry systems.

This example enters the following data into the TEC from the keypad on the TEC front door:

CODE:	NAME:	PHONE:	PIN:
001	SMITH,FRED	555-1234	1234
123	DOE,JOHN	555-9876	5678

1. To begin programming press the "*" and the "0" keys simultaneously.
2. Enter passcode number 777777.
3. Press *.
4. Press 1.
5. Press 1.
6. Press 001*.
7. Press 777#6#444#8#44#1111#333#77#33#3#*5551234*1234*.
8. Press 123 *.
9. Press 3#666#33#1111#5#666#44#66#*5559876*5678*.
10. Press the "*" and the "0" keys simultaneously.

Press the # key twice. You should see both codes and names in the display (one after the other). If you had any problems entering the data, or if you did not understand the reason for a key entry, please read the rest of this manual.

SETUP AND PROGRAMMING

REMOTE TOUCH TONE CONTROL OF TEC

The following functions can be remotely controlled by using a Touch-Tone™ Telephone.

- A. Activating the Entrance Relays.
- B. Latching open the Entrance relays.
- C. Un-latching the Entrance relays.
- D. Opening the microphone and speaker remotely

All factory defaults will be assumed in these examples. If you have changed any of the factory defaults, use your corresponding changes for the examples.

NOTE: IF USING AUTO UNLOCK AND RELOCK, ANY LATCHED FUNCTION WILL NOT BE OVERRIDDEN BY THE SYSTEM CLOCK ENTRANCE GROUP FUNCTION.

REMOTELY ACTIVATING ENTRANCE RELAYS

1. Call the phone number connected to the TEC.
2. After three rings wait for a tone (*).
3. Press the first digit of the password ("7") and wait for the answer tone (*). After each key press, a beep tone will occur, letting you know that the TEC received (heard) the key you pressed from your phone.
4. Press the second digit of the password ("7") and wait for the acknowledgment tone (*).
5. Press the "*" key and wait for the "password accepted" tone, which is two beeps following the acknowledgment tone (* **). If you make an error, (like an incorrect password) a long error tone (+) will be heard, and the TEC will hang up.
6. Press the Entrance x Open tone, which is Chosen by you. DEFAULT FOR ENTRANCE 1 IS "6".
Press "6". The Entrance 1 relay will energize. If the entrance was latched open, it will relock at the end of the time cycle
7. Press "0" to hang up. The TEC does not hang up automatically. Other relay functions such as timed or latched, speaker/mike open, etc. can be entered, until you press a "0".

REMOTELY LATCHING ENTRANCES RELAYS

1. Get into Remote Control Mode by following above steps 1 through 5.
2. Press the Entrance 1 Latch tone. Since the factory default tone is "0", the TEC will hang up, if a "0" is pressed. A different number other than the Entrance 1 Open tone must be programmed in the Entrance 1 Latch to latch open Entrance 1 control relay and any other entrances.
3. Press "0" to hang up.

REMOTELY UNLATCHING ENTRANCE RELAYS

1. To de-activate remotely a latched relay,
2. Get into Remote Control Mode by following above steps 1 through 6.
3. Step 6 will cause the door to re-lock after Entrance times out.

NOTE: IF ENTRANCE X OPEN TONE AND ENTRANCE X LATCH TONE ARE THE SAME NUMBER, THE ENTRANCE RELAY WILL NOT LATCH OR TIME OUT. IT WILL ENERGIZE BRIEFLY, AND THEN DE-ENERGIZE.

REMOTELY OPENING MIKE/SPEAKER CHANNEL

To remotely activate the microphone and speaker:

1. Get into Remote Control Mode by following REMOTELY ACTIVATING ENTRANCE RELAYS Steps 1-5
2. Press the Open Speaker tone. Since the factory default tone is "0", the TEC will hang up, if a "0" is pressed. A different number must be programmed in the Open speaker tone to activate the audio channel..
3. Press "0" to hang up.

TEC Series v 3.2X SETUP AND PROGRAMMING USING THE KEYPAD

After the TEC first powers on, the message "PRESS # TO VIEW DIRECTORY" will appear in the LCD display. The contrast control on the LCD board may have to be adjusted for best contrast, depending on lighting conditions. This adjustment is on the inside door near the top of the door, above the keypad. See the diagram below.



To begin programming press the "*" and the "0" keys simultaneously



« This shows on the display window



After you see this in the window, you have six seconds to start to press the six digit pass code. The factory default pass code is 777777. Each time you press a key, a "*" will appear in the window to keep the pass code confidential. After entering the sixth key, press the "*" key. This should bring you to the main menu. If you don't press a key in any 6 second period, the TEC automatically reverts to operational mode. If during programming, you don't press any key for 60 seconds, the TEC automatically reverts to operational mode.

The choices for the main menu are:

1. CODES / NAMES
2. ENT. CONTROL
3. SYSTEM PARAMETERS
4. COMMUNICATIONS SETUP
5. CLOCK SETUP
6. ACCESS CONTROL
7. BUFFER INFO
8. CLEAR DATA
9. DISPLAY DATA

SETUP AND PROGRAMMING

SETUP AND PROGRAMMING USING THE KEYPAD..

MANAGER PASSCODE

The first 3 digits of the 6 digit pass code are for programming main menu choice 1 (CODES/ NAMES) only. This is useful for on site maintenance of names and codes. This prevents the system parameters and configuration from being inadvertently modified after installation.

On the following is an overview of the menu selections possible on a TEC.

PROGRAMMING CHOICES

MAIN MENU

1 = CODES / NAMES

- 1 = ADD / FIND NAME
- 2 = FIND NAME
- 3 = FIND PIN
- 4 = FIND CARD
- 5 = CODES USED
- 6 = SHOW ALL CODES
- 7 = SHOW ALL NAMES
- 8 = ENA ACC GRP = 1

FOLLOW MENU

- 1 -6 ALPHA NUMERIC
- 1-6 NUMERIC
- 1-5 NUMERIC
- DISPLAYS # USED
- CRT ONLY
- CRT ONLY
- ENABLES ACCESS GROUPS

2 = ENT. CONTROL

(ENT 1 CONFIG TO ENT 4 CONFIG)

SEL ENT 1 - 4
ENT X

- 1 = UNLOCK TIME
- 2 = UNLOCK TONE
- 3 = AUTO GROUP
- 4 = LATCH TONE

**FACTORY
DEFAULTS**

- SELECT ENTRANCE
- 1 -99 SECONDS 10
 - 0 -9 T-TONE RECV'D 6
 - 0 -7 0
 - 0 - 9 T-TONE RECV'D 0

3 = SYS. PARAMETERS

- 1 = TALK TIME
- 2 = ALARM TIME
- 3 = CODE LENGTH
- 4 = PIN LENGTH
- 5 = BACK BEEP
- 6 = TONE DIAL
- 7 = RING COUNT (UNIT ID)
- 8 = STRIKE OUT
- 9 = TITLE PAGE

- 1 -99 MINUTES 01
- 1 -99 SECONDS 10
- 1 -6 DIR LENGTH 3
- 0 -6 PIN LENGTH 4
- 0-1, (1 = ENABLE) 0
- 0-1, (1 = T-TONE DIAL) 1
- 0 -9 RING COUNT 3
- 0-1, (1 = ENABLE) 0

TEC Series v 3.2X

PROGRAMMING CHOICES continued

4 = COMM. SETUP

- 1 = TERMINAL TYPE
- 2 = RS-232 BAUD
- 3 = PROGRAM. PSWD
- 4 = PIN ON ENT = 1
- 5 = SITE CODE
- 6 = DIRECTORY ON =1
- 7 = KEYPAD ON = 0
- 8 = SPKR TONE = 0

9 = UPDATE LCD (TECVISION ONLY)

5 = CLOCK SETUP

- 1 = SET CLOCK
- 2 = SET TIME ZONES
- 3 = SET HOLIDAYS

6 = ACCESS CONTROL

- 1 = SET GROUPS
- 2 = SET LEVELS

7 = BUFFER INFORMATION

- 1 = VIEW LOG
- 2 = SEND LOG
- 3 = FIND CODE
- 4 = LOG SIZE
- 5 = CLEAR BUFFER

8 = CLEAR DATA

- 1 = SET PARAMETERS
- 2 = CLEAR TIME ZONES
- 3 = CLEAR HOLIDAYS
- 4 = CLEAR AC-LEVELS
- 5 = CLEAR AC-GROUPS
- 6 = CLEAN CODES

9 = DISPLAY DATA

- 1 = PRINT INFO
- 2 = PRINT TIME ZONES
- 3 = PRINT HOLIDAYS
- 4 = PRINT A-C LEVELS
- 5 = PRINT A-C GROUPS

FACTORY DEFAULT

0 - 1, (1 = VT100A)	1
0 - 6, (0=300, 6=19200)	5
1 - 6 DIGITS	777777
1 DIGIT	1
0 - 255	000
0 - 1, (1 = ON)	1
0 - 1, (1 = ON)	0
0 - 9	0

SETUP AND PROGRAMMING**CODES / NAMES****CODES/NAMES
SELECT 1 - 7**

Pressing "1" (after entering the password) will show the choice at left.

A CODE refers to a record in the Tec's memory. A record consists of:

CODE#	NAME	PHONE	PIN	CARD	ACCESS	GROUP
123	JONES, TIM	555-1212	1234	2760		1

- A. Code numbers can be from 1 to 6 digits.
- B. Names and phone numbers must be entered to display name on directory
- C. Phone numbers can be entered without name, but will not display on directory.
- D. PIN (Personal Identification Number) codes are associated with code numbers.
- E. Optional card number (If in use) are associated with code numbers.
- F. Access Groups are associated with code numbers.

ADD / FIND NAME**CODE =**

Press "1" on the Codes/Names menu. You will be prompted for the code as shown at left:

If you make a mistake while keying in the code number, press the "0" and the "#" simultaneously to move back one space. From a terminal or computer, press the back arrow key. Enter the code number. It will be between one and six digits depending on the system parameters. After keying in the desired code number, press the "*".

DELETING A CODE

To delete a code number, key in the code number then press "#" followed by "*". This also will erase all data associated with that code number, such as the name, phone number, PIN, and card number.

DELETING A CODE FIELD

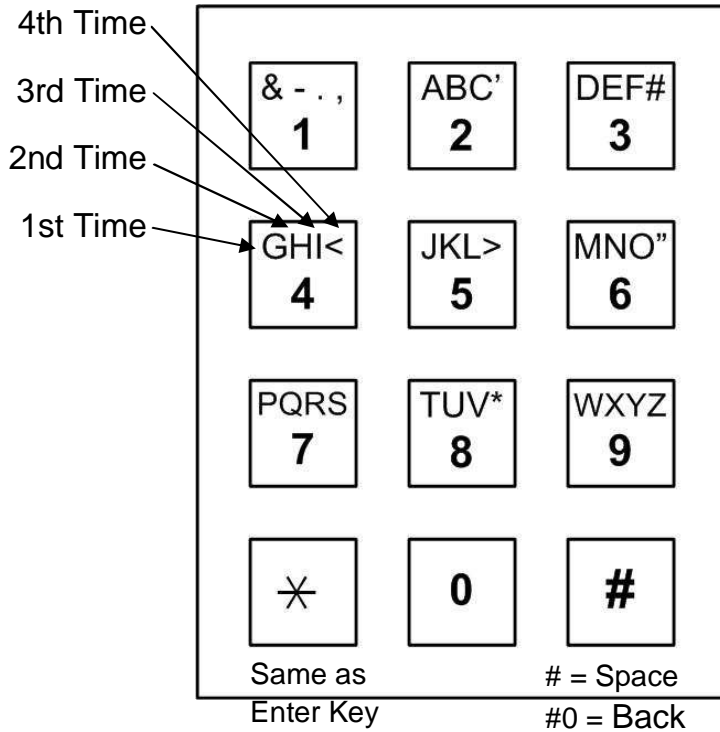
To delete a part of a code number, such as a phone number, PIN # or card #, go to that field by pressing the "*" key. When you reach the desired field, key in "0", then "*" from the keypad. This will delete the data in that field, but not any of the other fields associated with the code number.

IF YOU PLACE A "0", IN THE FIRST POSITION OF A NAME FIELD, THEN "#", IT WILL DELETE ALL DATA ASSOCIATED WITH THAT CODE NUMBER.

NAME =

For all TEC models, you will be prompted to enter a name. Names are 1 to 14 characters, including punctuation. It is not necessary to enter a name in a TECCard but you may wish to in order to keep track of card assignments. The keys on the keypad are alphanumeric. Since there are only 12 keys, each key generates it's number, more than one letter, and punctuation.

TEC Series v 3.2X



The first time you press a key, the first character corresponding to that key will appear in the display. To get to the second character, press the same key a second time. To get the third character, press the same key a third time. To skip a space, press the "#" key. To backspace, press the "0" and the "#" simultaneously. A backspace over an existing character will delete that character. If you inadvertently key past the desired character, keep pressing the key until the desired character is in the window. Then press the "#" key to advance to the next space. **FOR NUMBERS:**

To select numbers, press the "0" key and then the desired number key.

After completely entering the name, press the "*" key to enter the name into memory.

NOTE: PRESS THE # KEY TO MOVE PAST THE LAST LETTER BEFORE PRESSING *, OR LAST LETTER IS NOT PROGRAMMED.

You will be prompted for the phone number. Enter the numbers normally. In this mode, letters are not possible. If you mis-key a digit of the phone number, press the "0" and the "#" simultaneously to backspace and correct the digit. After completely entering the phone number, press the "*" key to enter the phone number into memory. To create a 3 second pause, press the "#" key. For phone systems that dial an 8 or a 9 to get an outside line, key in the number then the "#", then the phone number, then "*".

PHONE # =

HIDE NAME FEATURE: Place a pause as the first item in the phone number (ex. #5551212). The name will not display in the directory, but anyone who dials the code number will still be able to reach the resident. It is not necessary to enter phone numbers in a TECCard but it is allowed for convenience.

You will be prompted to enter a PIN. A PIN is a Personal Identification Number. This will allow anyone who knows this number to enter the facility the TEC controls by entering a "*" and this PIN code. Each name may have a PIN code. The PIN code length is from one to six digits, depending on what you selected from the system parameters menu. All PIN codes must be the same length as what was selected from the system parameters menu. When you enter the PIN code, press the "*" key to place the PIN code into memory. If you disable the PIN (PIN length = 0), this choice will not display.

PIN =

Another selection in this sub-menu is the card reader number. The TEC system allows a card number per code entry. These are five digit numbers used with the card reader interface. If Facility Site code = 000, this selection may not display. The card number for the card that will be given to the name must be known. Enter this number into memory. If you make mistakes while keying in the number, press the "0" and the "#" key pressed simultaneously. This will backspace over the mis-keyed digit. After entering each Card code number, press the "*" key to place the Card code number into memory.

CARD =

SETUP AND PROGRAMMING

1-6 CHAR. <CR>

To select the find name function, press "2" from the Codes/Names menu. You will be prompted for 1 - 6 characters. Select characters in the same manner that you programmed names into memory (See the diagram on Pg. 31). When you have entered all desired characters, press "#", then "*".

CODE =
XXX<CR>MORE

This message will display whatever code number matches the letters selected. If there is more than one name with similar letters, pressing the "*" key will display additional code numbers that meet the selection criteria.

NO MATCH
<CR> TO CONT

If there is no match, you will be prompted to press either the "*" from the keypad, or Enter key from the terminal. A "*" will return to sub-menu 1.

SHOW ALL CODES

Select this sub-menu from the Codes/Names menu by pressing "8". This selection will list code numbers and all data associated with code numbers, sorted by CODE NUMBER in ascending order. It sends this data out the optional serial port (OPTKPRT) to a printer or terminal.

SHOW ALL NAMES

Select this sub-menu from the Codes/Names menu by pressing "9". This selection will list code numbers and all data associated with code numbers, sorted by NAMES in ascending order. It sends this data out the optional serial port (OPTKPRT) to a printer or terminal.

ENABLE ACCESS GROUPS

(Following settings available with optional CLOCK [OPTCLK])

ENA ACC GRP = 0

Access Groups allow more control of a TEC by adding time zone control and increased card reader control.

To enable Access Groups from the factory default of 0, press "8" from the Codes / Names menu to get this sub-menu. Press "1" to enable Access Groups, and press "*". This will return you to the Codes / Names menu.

ENTRY CONTROL

SEL ENT _

The Entry Control menu comes with factory defaults that should be sufficient for most installations. These default values are shown on Pg. 28 and 29. Some functions work with options that may not be present on your TEC unit. To get the menu at right, press "2" and then select the entrance to modify, The TEC unit can support up to 4 entrances with options installed.

ENT X CONFIG
SEL FUNCT 1 - 4

ENTRANCE X UNLOCK TIME

ENT X
UNLOCK TIME = 10

Press "1" from the Entry Control menu to set the time in seconds from 1 to 99 seconds. This is the length of time the door control relay for door 1 will be energized. The factory default is 10 seconds. A good rule of thumb for entry time is 3 seconds plus 2 seconds for every step from the TEC to the entrance being controlled. To change time, key in the time desired and press the "*" key. You will be returned to the Entry Control menu.

TEC Series v 3.2X

ENTRANCE X UNLOCK TONE

The Entrance X tone refers to the Touch-Tone™ number from a telephone that must be pressed to energize the door control relay. This relay will be energized for whatever length of time was selected (door open time). Rotary or pulse type telephones must dial any number "6" or greater to energize the door control relay. This will energize only the primary door control relay. To change the number from the default setting of 6 to another number, press "2" from the Entrance 1 Control menu. Select the new number (from 1 -9) and press the "*" key. You will be returned to the Entry Control menu.

**ENT X UNLOCK
TONE = 6**

NOTE: SELECTING A "0" DISABLES ENTRANCE 1 UNLOCK TONE FEATURE.

ENTRANCE X AUTO GROUP

The Entrance X Auto Group refers to the group of Access levels and time zones that allow the entrance to automatically open on given days for the hours that match the time zone programmed.

To change the number from the default setting of 0 to another number, press "3" from the ENT 1 Control menu. Select the new number (from 0 - 9) and press the "*" key. You will be returned to the Entry Control menu. SELECTING A "0" DISABLES THE AUTO GROUP FUNCTION. Selecting a number from 1 - 9 allows that number to automatically open the door on the days and times set for that group.

**ENT X
AUTO GROUP = 0**

NOTE: AUTOMATIC UNLOCK/RE-LOCK (AUTO GROUP) OVERRIDES ANY OTHER LATCH CONTROL.

ENTRANCE X LATCH TONE

The Entrance X Auto Group refers to the group of Access levels and time zones that allow the entrance to automatically open on given days for the hours that match the time zone programmed.

To change the number from the default setting of 0 to another number, press "3" from the ENT 1 Control menu. Select the new number (from 0 - 9) and press the "*" key. You will be returned to the Entry Control menu. SELECTING A "0" DISABLES THE AUTO GROUP FUNCTION. Selecting a number from 1 - 9 allows that number to automatically open the door on the days and times set for that group.

**ENT X
LATCH TONE = 0**

NOTE: IF ENT X TONE AND ENT X LATCH ARE THE SAME NUMBER, THE ENT X RELAY WILL NOT LATCH OR TIME OUT. IT WILL ENERGIZE BRIEFLY, AND THEN DE-ENERGIZE.

ENTRANCE X AJAR TIME

Press "5" from the Entry Control menu to set the time the entrance remains open after the open relay returns with this entrance. Present with 2 Entrance units installed with this TEC system. Also in the first two entrances in a four entrance system when the alarm function is turned off by setting alarm time to zero. Default is 0 (Off)

**ENT X
AJAR TIME = 20**

SYSTEM PARAMETERS

**SYS PARAM.
SELECT 1 - 9**

The System Parameters menu comes with factory defaults that should be sufficient for most installations. These default values are shown on Pg. 28 and 29. Some functions work with options that may not be present on your TEC. For example, selection 2 Alarm Time is not valid unless the optional alarm control relay (OPTK3R) has been purchased. To get the menu at left, press "3" from the main menu.

TALK TIME

TALK TIME = 01

Talk Time is the time in minutes from 1 - 99 minutes that the TEC remains connected after dial out. In areas of the country where rate usage is a concern, the factory default is 1 minute. For other applications, the talk time can be adjusted upward by pressing "1" from the System Parameters menu to get this sub-menu. Key in the desired number (must be 2 digits) and press "*". This will return you to the System Parameters menu.

ALARM TIME

ALARM TIME = 10

Alarm time is the time in seconds that the optional alarm relay control (OPTK3R) is energized. To change the alarm time from the factory default of 10 seconds, press "2" from the System Parameters menu to get this sub-menu. Key in the desired number (must be 2 digits) and press "*". This will return you to the System Parameters menu.

CODE LENGTH

CODE LENGTH = 3

Code length is the number of digits from 1 to 6 entered on the keypad to dial a phone from the TEC. To change the code length from the factory default of 3 digits, press "3" from the System Parameters menu to get this sub-menu. Key in the desired number from 1 - 6 and press "*". This will return you to the System Parameters menu.

PIN LENGTH

PIN LENGTH = 4

PIN length is the number of digits from 0 to 6, entered from the keypad to enter a PIN code from the TEC. To change the PIN length from the factory default of 4 digits, press "4" from the System Parameters menu to get this sub-menu. Key in the desired number from 0 - 6.

SELECTING PIN LENGTH = "0" DISABLES THE PIN FUNCTION. Press "*" to return to the System Parameters menu.

BACK BEEP

BACK BEEP = 0

Back Beep is a background tone that will "beep" every 10 seconds when enabled. This allows a called party to determine if someone called from a TEC. To enable the back beep from the factory default of 0, press "5" from the System Parameters menu to get this sub-menu. Press "1" to enable Back Beep, and press "*". This will return you to the System Parameters menu.

TEC Series v 3.2X

TONE DIAL

Tone dial selects whether the TEC dials out with Touch-Tones™, or uses pulses, like rotary dial phones. In areas of the country where Touch-Tone™ is not available, tone dial may be disabled. To disable the Tone Dial from the factory default of 1, press "6" from the System Parameters menu to get this sub-menu. Press "0" to disable Tone Dial, and press "*". This will return you to the System Parameters menu.

TONE DIAL = 1

Unit ID or Ring Count

Unit ID or Ring Count is the number of rings the TEC listens to before it answers. This is useful for the software (Selcom 7 or Newer) to identify that it is connected to the correct unit or for Remote Programming. If ring count is 0, the TEC will not answer at all. To change the ring count from the factory default of 3 rings, press "7" from the System Parameters menu to get this sub-menu. Key in the desired number from 0 - 9 and press "*". This will return you to the System Parameters menu.

RING COUNT = 3

STRIKE OUT

Strike Out refers to the number of incorrect PIN code entries that can be made before the TEC "locks up". Once the TEC "locks up", it ignores any key entries for 60 seconds. This is to discourage attempts to guess PIN codes. Select Strike Out from the Door Control menu by pressing "9". To change from the factory default setting of 3, press any key from 0 - 9 and then press "*".

STRIKE OUT = 3

NOTE: IF 0 IS SELECTED, THE TEC WILL PERMIT UNLIMITED ATTEMPTS TO GUESS PIN CODES.

If you enter an invalid PIN code, an error message like the one at right, will display. Wait until the title screen (if selected) appears, or until the error message goes away before re-keying the PIN code.

**INVALID PIN
TRY AGAIN**

If the number of strike outs is exceeded, an error tone will sound. A message like the one at left, will be shown on the front display of the TEC.

BUSY PLEASE WAIT

If you enter a valid PIN code, the door control relay will energize and the open message shown at left, will display on the TEC for approximately 2 seconds and then revert back to the title page.

OPEN

TITLE PAGE

The Title Page has two lines of up to sixteen characters per line, including punctuation. The Title Page can be programmed from the keypad in the same manner as names were programmed. See the table on the next page for character assignments.

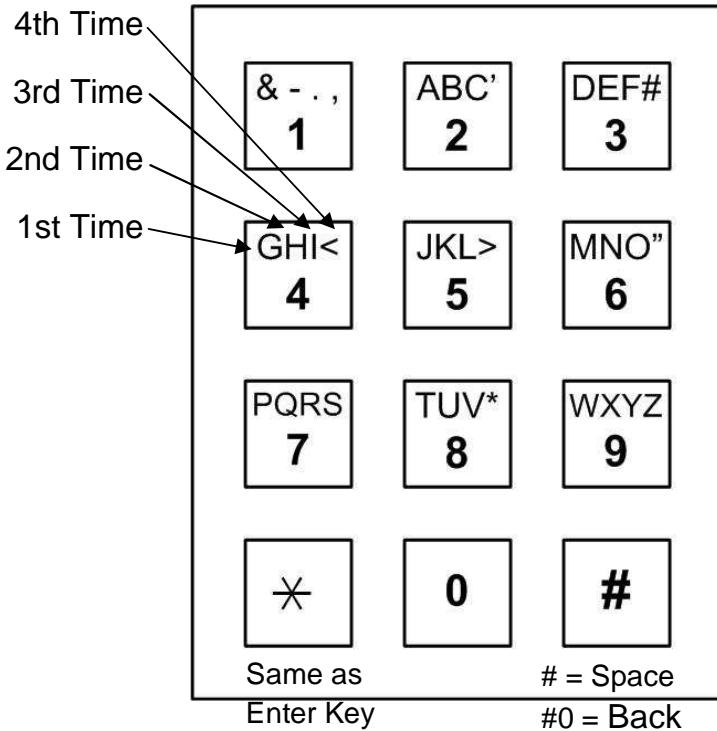
LINE 1

The TEC comes with a title page that says "PRESS # TO VIEW DIRECTORY", until the title page is reprogrammed. To program the Title Page from the factory default of "PRESS # TO VIEW DIRECTORY", press "9" from the System Parameters menu to get this sub-menu. Key in the desired character and press "#" to advance to the next character space. Press "#" to advance to a blank space. Press "#" and "0" simultaneously to backspace one character. When the first line is complete, press "*" to advance to the second line.

TITLE PAGE continued

LINE 2

Continue the second line as required. If you require any modifications of line 2, then line 1 must be re-entered first. After completion, press "*". This will return you to the System Parameters menu.



The keypad programming table is repeated here as an aid to selecting the proper key strokes to set the title page.

The first time you press a key, the first character corresponding to that key will appear in the display. To get to the second character, press the same key a second time. To get the third character, press the same key a third time. To skip a space, press the "#" key. To backspace, press the "0" and the "#" simultaneously. A backspace over an existing character will delete that character. If you inadvertently key past the desired character, keep pressing the key until the desired character is in the window. Then press the "#" key to advance to the next space.

FOR NUMBERS:

To select numbers, press the "0" key and then the desired number key. After completely entering the name, press the "*" key to enter the name into memory.

NOTE: PRESS THE # KEY TO MOVE PAST THE LAST LETTER BEFORE PRESSING *, OR LAST LETTER IS NOT PROGRAMMED.

COMMUNICATIONS SETUP

**COMM. SETUP
SELECT 1 - 8**

The Communications Setup menu comes with factory defaults that should be sufficient for most installations. These default values are shown on Pg. 28 and 29. Some functions are used with options that may not be present on your TEC. For example, selection 2 RS-232 Baud is not valid unless you purchase the optional serial printer interface (OPTKPRT). To get the right menu, press "4" from the main menu.

TERMINAL TYPE

TERM. TYPE = 1

The TEC is designed to respond to terminals that follow VT-100B terminal control codes. It also can respond to "dumb terminal" codes. To disable the Terminal Type from the factory default of 1, press "1" from the Communications Setup menu to get this sub-menu. Press "0" to disable VT-100B emulation, and press "*". This will return you to the Communications Setup menu.

TEC Series v 3.2X

RS-232 BAUD

The RS-232 Baud refers to the rate of speed for serial communications, such as a printer or terminal would need. This function requires the optional printer interface (OPTKPRT). The different rates are:

- 0 = 300 BAUD
- 1 = 600 BAUD
- 2 = 1200 BAUD
- 3 = 2400 BAUD
- 4 = 4800 BAUD
- 5 = 9600 BAUD
- 6 = 19200 BAUD

Protocol for serial devices is fixed at 8 bits, No parity, 1 stop bit. (8,N,1)

RS-232 BAUD = 5

To change the RS-232 Baud from the factory default of 5, press "2" from the Communications Setup menu to get this sub-menu. Next, select the number corresponding to the desired baud, and press "*". This will return you to the Communications Setup menu.

PROGRAM PASSWORD

The TEC leaves the factory with a default password of 777777. The Password may be alphanumeric (1 - 6 characters) if programmed from an optional terminal. From the front keypad, only numbers (1 - 6 digits) are supported. This provides an additional level of security if you connect a terminal to a TEC. It is possible to create passwords that can not be accessed from the front keypad. To change the Program Password from the factory default of 777777, press "3" from the Communications Setup menu to get this sub-menu. Key in the desired 6 digits for the new password, and press "*". You will be returned to the Communications Setup menu.

**PASSWORD =
777777**

NOTE: 1st 2 DIGITS OF PROGRAM PASSWORD ARE THE CONTROL PASSWORD, FOR REMOTE CONTROL OF TEC UNIT (SUCH AS ENTRANCE LATCH). 1st 3 DIGITS OF PROGRAM PASSWORD ARE THE MANAGERS PASSWORD THAT ALLOWS ONLY CODE, NAME, PHONE, PIN, CARD, AND GROUP CHANGES.

PIN ON ENTRANCE

This function determines which door control relay is activated when a PIN code (or a Rotary "6" from a called unit) is received by the TEC. To change the number from the default setting of 1 to another number, select "4" from the main menu. Select "4" from this sub-menu. Select the new number (from 1 - 4) and press "*". You will be returned to the COMM. SETUP menu.

PIN ON ENT = 1

SITE CODE

The Site Code (sometimes called a Facility Code) is used with the Card Readers. Site Code is used to identify the group of cards being used with a particular TEC. This keeps cards on one facility from being used in another facility. The range of Site Codes is from 000 - 255. 000 = OFF (NO CARDS ARE IN USE)

To change the Site Code from the factory default of 000, press "5" from the Communications Setup menu to get to this sub-menu. Key in the desired 3 digits corresponding to the Site Code of the cards you have purchased, and press "*".

SITE CODE = 000

NOTE: IF SITE CODE = "000" THE CARD READER FUNCTION IS DISABLED, AND CARD # WILL NOT APPEAR IN CODE/NAMES PROGRAMMING MENU. IF SITE CODE IS SET TO 255, THE SITE CODE ON THE CARD WILL BE IGNORED, AND SECURITY OF CARDS WILL BE REDUCED.

DIRECTORY ON / OFF

DIRECTORY ON=1

This selection allows all directory names to be suppressed from the display. The codes keyed in will still display. All names will still print to the optional printer (OPTKPRT). To disable Directory from the factory default of 1, press "6" from the Communications Setup menu to get this sub-menu. Press "0" to disable Directory, and press "*".

KEYPAD ON / OFF

KEYPAD ON = 0

This selection allows the keypad to remain active after dial out. This is useful for answering machines, voice mail, and other functions requiring a Touch-Tone™ signal after communications are established. To enable keypad from the factory default of 0, press "7" from the Communications Setup menu to get this sub-menu. Press "1" to enable the keypad, and press "*". Only the number keys are active, * and # will not work. applications, the talk time can be adjusted upward by pressing "1" from the System Parameters menu to get this sub-menu. Key in the desired number (must be 2 digits) and press "*". This will return you to the System Parameters menu.

SPKR TONE = 0

This selection allows the speaker to be activated for remote control by a telephone Touch-Tone™ in order to listen in. When enabled, the TEC has an open audio channel to permit conversation from someone calling in to the TEC (the microphone is also enabled at the same time). To enable speaker from the factory default of 0 (disabled), press "8" from the Communications Setup menu to get this sub-menu. Select a digit from 1 to 9 to enable speaker, and press "*". This will return you to the Communications Setup menu.

UPDATE LCD (TECVISION ONLY)

UPDATING _

This selection allows information in the TEC memory to be transferred to the display memory. Press 9 to enable update and then press "*". This will return you to the Communications Setup Menu.

CLOCK SETUP

**CLOCK SETUP
SELECT 1 - 3**

- There are three menu choices that are:
1. Set time and date.
 2. Set time zone(s).
 3. Set Holidays.

SETTING TIME / DATE

NOTE: ONCE TIME/DATE PROGRAMMING HAS BEGUN, ALL SELECTIONS MUST BE COMPLETED FOR CHANGES TO TAKE EFFECT.

**00:00 00/00/00
MIN.:**

Select "1" to set the time & date. You will be prompted to enter the current time in minutes as a one or two digit number. If you make a mistake, press "0" and "#" simultaneously to backspace one character. After the minutes are entered, press the "*" key.

**00:00 00/00/00
HOUR:**

Enter a 1 or 2 digit number to set the hour. If a mistake is made, press "0" and "#" simultaneously to backspace one character. After the hour is entered, press the "*" key.

**00:00 00/00/00
DAY, 1..7:**

This is NOT the day of the month. This is a number which corresponds to the day of the week. Enter a number corresponding to the day of the week. Sunday is "1", Saturday is "7" and so forth. If you make a mistake, press "0" and "#" simultaneously to backspace one character. After the day of the week is entered, press the "*" key.

SETTING TIME / DATE continued

Enter a 1 or 2 digit number to set the day of the month. If a mistake is made, press "0" and "#" simultaneously to backspace one character. After the day is entered, press the "*" key.

00:00 00/00/00
DATE:

Enter a 1 or 2 digit number to set the month. If you make a mistake, press "0" and "#" simultaneously to backspace one character. After the month is entered, press the "*" key.

00:00 00/00/00
MONTH:

Enter a 2 digit number to set the year. If you make a mistake, press "0" and "#" simultaneously to backspace one character. After the year is entered, press the "*" key.

00:00 00/00/00
YEAR:

You will be returned to the Clock Setup menu.

SETTING TIME ZONES A time zone is a period of time that limits when the TEC is valid. Use this to control access to a facility, when a given condition is valid, based on:

- 1) The time of day.
- 2) The day of the week.
- 3) Whether or not the day of the week is a Holiday.

A time zone is valid only within a 24 hour period that begins at midnight. A time zone has a start time and an ending time. This can be as short as two minutes, or as long as 24 hours. This time period is valid in combinations from 1 to 7 days and Holidays. There are 8 time zones numbered 0 - 7 available for use on a TEC. Holidays may be set up at any time. A time zone can have valid Holidays, or invalid Holidays. A time zone can be set that is only valid on Holidays, for applications that require different hours of access on Holidays.

From the main menu, select "5" for clock setup, then "2" for time zone.

You will be prompted to select a time zone between 0 and 7. If you make a mistake, press "0" and "#" simultaneously to backspace one character. Once programming of a time zone is begun, all choices must be keyed in or you will be returned to the beginning of the time zone menu.

TIMEZONE <0-7>

After the time zone is selected, press the "*" key. You will be prompted to key in the hour. This is a 1 or 2 digit number. The hour is expressed in 24 hour format (e.g., 2:25 P.M. is keyed in as 14:25), from 00:00 to 23:59. If you make a mistake, press "0" and "#" simultaneously to backspace one character. After the hour is entered, press the "*" Key.

START HOUR 00

You will be prompted to key in the minute. This is a 1 or 2 digit number between 00 and 59. If you make a mistake, press "0" and "#" simultaneously to backspace one character. After the minute is entered, press the "*" key.

START MIN 00

Next, enter the ending hour. This is a 1 or 2 digit number. If you make a mistake, press "0" and "#" simultaneously to backspace one character. After the hour is entered, press the "*" key. Press "0" and "#" simultaneously to backspace one character. After the end hour is entered, press the "*" Key.

END HOUR 23

SETTING TIME / DATE continued

END MIN 59

Enter the ending minute. This is a 1 or 2 digit number between 00 and 59. If you make a mistake, press "0" and "#" simultaneously to backspace one character. After the end minute is entered, press the "*" key.

DAYS 12345678

Enter the desired day(s). Do this by keying in the number corresponding to the day of the week (1 = Sunday, 7 = Saturday and 8 = Holidays). As an example Monday through Friday would be keyed in as 2, 3, 4, 5 and 6. Days may be entered in any order. If you make a mistake, press "0" and "#" simultaneously to backspace one character. After all days are chosen, press the "*" key.

The table below may be used to help keep track of which Time Zones are required for this installation. Writing them down in the table provided will help reduce programming entry errors.

	Start	Time	Stop	Time		Day	of	the	Wee			
Time	Hour	Min.	Hour	Min.	SU	MO	TU	WE	TR	FR	SA	HO
0												
1												
2												
3												
4												
5												
6												
7												

SETTING HOLIDAYS Holidays can be used to keep time zones valid (or not) on Holidays, or by setting a different time zone to be valid for a different period of time on a Holiday. There are 9 Holidays numbered 0 - 8 available for use on a TEC.

Select "3" to set the Holiday. Holidays may be entered in any order.

You will be prompted to select a Holiday between 0 and 8. If you make a mistake, press "0" and "#" simultaneously to backspace one character.

HOLIDAY <0-8>

After the Holiday is selected, you will be prompted to key in the month. This is a 1 or 2 digit number. If you make a mistake, press "0" and "#" simultaneously to backspace one character. Press the "*" key after the month is entered.

MONTH:

After the month is selected, you will be prompted to key in the date. This is a 1 or 2 digit number between 1 and 31. If you make a mistake, press "0" and "#" simultaneously to backspace one character. After the date is entered, press the "*" key.

DATE:

The table below may be used to help keep track of which Holidays are required for this installation. Writing them down in the table provided will help reduce programming entry errors. Remember, Holidays may be entered in any order.

Holiday	Month	Day	Holiday
0			
1			
2			
3			
4			
5			
6			
7			
8			

SETUP AND PROGRAMMING

ACCESS CONTROL

Access Control from a TEC is based on four general sets of conditions:

- 1) When a resident (who has been called from a TEC) keys in a valid door tone.
- 2) When a valid PIN code is presented at a door that is valid:
 - a) based on the time of day.
 - b) based on the day of week.
 - c) based on whether the day of the week is a Holiday or not.
- 3) When a valid card number is presented at an (optional) door card reader which is valid:
 - a) based on the card reader next to the entrance chosen for access.
 - b) based on the time of day.
 - c) based on the day of week.
 - d) based on whether the day of the week is a Holiday or not.
- 4) When an entrance group is valid, using automatic un-lock and re-lock (with optional clock).

The TEC has many combinations of access control based on these criteria. This versatility can be confusing to an installer, unless the access has been carefully defined BEFORE programming begins. The order in which to plan for an installation should be as follows:

1. Define access area. One entrance, or up to 4?
2. Define time zones.
 - What times is access allowed?
 - For Whom is access allowed? Everybody, or different groups of people?
 - What days is access to be allowed?
 - Are the time zones the same for different days, or different for different days?
 - Are Holidays used, and do Holidays require different time zones?
3. Define Access levels.
 - What time zone is valid for a given access level?
 - Which door is valid for an access level?
 - Is more than one door valid for a time zone?
4. Define Access Groups.
 - What combinations of access levels are in a group?
 - Is the access group to be used for PIN codes and Cards?
 - Is the access group to be used for automatic un-lock and re-lock?

The menu choices in this manual follow the order in which they appear on a TEC. These choices are in reverse order from how a site installation is typically planned. This is to force the installer to decide site requirements before beginning to program the TEC. The TEC was designed this way to help keep an unwary installer from "programming himself into a corner." There are tables associated with each section. They are there to help with site planning. It is strongly recommended they be completely filled out BEFORE attempting any programming.

ACCESS GROUPS (Only with optional Clock)

Access Groups are used to allow groups of individuals card or PIN access by assigning a level or combination of levels to their group. Access Group Zero is predefined as an unlimited group. Group Zero allows access 24 hours a day, ALL days of the year. Access Groups are assigned to the individuals in the Directory. If you do not assign a Group to an individual during the directory entry, Zero (0) is assigned by default.

Since Access Levels have different Time Zone and entrance combinations, this creates many combinations for control of an entrance based on PIN, Card, or time of day.

Once Access Groups are enabled, an Access Group number for a given code number MUST be specified.

The other application for Access Groups is for automatic Unlocking and Relocking Entrances 1 - 4. An Access Group also may be one that has no valid Access Levels when it is needed to prevent entrance access.

ACCESS CONTROL

From the main menu select "6" for Access Control.

SELECTING AN ACCESS GROUP

Select "6" from the main menu. Press the "*" key from the front door key pad, or the Enter key from a terminal. Select "1" from this sub-menu. You will be prompted to select a group from 1 - 7 as shown at right. Press the "*" key from the front door key pad, or the Enter key from a terminal.

GROUP 1 - 7

SELECTING AN ACCESS LEVEL

After selecting a group, you will be prompted for levels. These are any combinations from 0 - 7 in any order. To change access levels for a given group, key in the new levels desired and press the "*" key from the front door key pad, or the Enter key from a terminal. To delete access levels entirely use Clear Access Levels.

LEVELS - - - - -

ACCESS LEVELS

Access Levels are used to attach Time Zones to specific Entrances. Only one Time Zone is allowed per Access Level. Any combination of entrances may be selected, but at least one entrance must be selected, or the affected Access Level will not function. From one to four entrances may be assigned to an Access Level. Different combinations of control may be created. Do this by assigning one entrance a Time Zone and an Access level, and another entrance the same Time Zone but a different Access Level. Now these Access Levels can be grouped in different combinations for the Access Groups.

PROGRAMMING AN ACCESS LEVEL

Select "6" from the main menu. Press the "*" key from the front door key pad, or the Enter key from a terminal.

Select "2" from this sub-menu. You will be prompted to select a level from 0 - 9 as shown at right. Press the "*" key from the front door key pad, or the Enter key from a terminal.

LEVEL <0 - 7>

SELECTING A TIME ZONE

You will be prompted to select a time zone from 0 - 7 as shown at right. Select the desired zone number and press the "*" key from the front door key pad, or the Enter key from a terminal.

TIME ZONE <0 - 7>

SELECTING A ENTRANCE

You will be prompted to select a door 1 - 4 as shown at right. Select the desired door combination and press the "*" key from the front door key pad, or the Enter key from a terminal.

ENT. <1 - 4 >
- - - -

SETUP AND PROGRAMMING

SYSTEM PARAMETERS

ACCESS LEVELS continued

Use the table below to help keep track of which Access Levels are required for this installation. Writing them down in the table provided will help reduce programming entry errors.

		ENTRANCE															
ACCESS	TIME																
0																	
1																	
2																	
3																	
4																	
5																	
6																	
7																	

AUTOMATIC UNLOCK AND RELOCK BY TIME ZONE

The example on the next page shows how a business might keep two entrances open during peak employee traffic, and secure those two entrances at all other times. Time Zone 1 is valid for one half hour in the morning, Monday through Friday. Time Zone 2 is valid for one half hour in the afternoon, Monday through Friday. Time Zone 0 is valid all the time, except Holidays.

Each Time Zone is assigned to a different Access Level. Both entrances are selected in the Access Levels. The morning and the afternoon Access Levels are grouped together in Access Group 1.

By setting Entrance Group 1 to Access Group 1, the entrance will automatically unlock during peak traffic, and relock at all other times. Employees whose PIN codes or cards are set to Access Level 0, can open the entrance at all other times. If employees try to use their PIN code or Card while the entrances are unlocked, the display on the TEC will show "OPEN".

EXAMPLE OF AN AUTOMATIC UNLOCK APPLICATION

Time Zone Setting

Time	Start Time		Stop Time		Day of the Wee						
	Hour	Min.	Hour	Min.							
0											
1	07	45	08	15		X	X	X	X	X	
2	16	45	17	15		X	X	X	X	X	

Access Level Setting

AL1 (USES TIME ZONE 1
MORNING HOURS M - F)

AL2 (USES TIME ZONE 2
AFTERNOON HOURS M - F)

ENTRANCE				
ACCES	TIME			
0				
1	1	X	X	
2	2	X	X	

AG1 (USES ACCESS LEVELS 1 AND 2)
THEN USE AG1 TO AUTO UNLOCK
ENTR. 1 AND ENTR. 2

Access Levels		
ACCESS		
0	Always Active	Always Active
1	X	X
2		

These are shorter versions of the other tables in this manual. Start by defining which entrance is to be unlocked, for how long, on which days. This is the time zone data. Next, define which combinations of doors are controlled by a time zone. This is an access level. Last, group access levels into an access group. The Entrance Group is that access group number.

TRANSACTION BUFFER INFORMATION

The transaction buffer stores any event that would normally create a logging printer message. For examples of report messages, see Pg. 18 or 66. The size of the transaction buffer depends on the capacity of the TEC. Usually, the smaller the capacity the larger the transaction buffer space. After a transaction buffer becomes full, it begins to overwrite the oldest event in the transaction buffer storage space.

Press "7" from the main menu to get the selection shown at right. Press "*" to return to the Main menu

**BUFFER INFO.
SELECT 1 - 5**

SETUP AND PROGRAMMING

TRANSACTION BUFFER INFORMATION **continued**

VIEW LOG



This allows the log to be viewed from a terminal connected to the optional serial port. The log also may be viewed from a personal computer communicating through the optional modem. Pressing "1" from the front panel keypad will only show a cursor box in the

LCD display as shown at left. The TEC will sound a long error beep and return to the Buffer Information menu.

SEND LOG

**PRINTING BUSY
PLEASE WAIT**

Pressing "2" will send all logging data to either the optional serial port or to the optional modem, if you are using a terminal through the modem.. A message like the one at left will display.

**BUFFER INFO
SELECT 1 - 4**

After all data stored in the buffer has been sent, the message shown at left will display. Press "*" to return to the Buffer Information menu. Press "*" again, to return to the Main menu.

TRANSACTION BUFFER FREE

BUFF FREE = 70%

Pressing "3" from the front panel keypad will only show the approximate amount of space remaining in the buffer A message similar to left will appear

SEND LOG

**ERASE LOG
CONTINUE? 1/0**

Press "4" to get to the menu at left. Pressing a "1" then "*" clears all transactions stored in the buffer for the TEC. If you press a "1" by mistake, press "#" and "0" simultaneously to backspace over the "1". Press "0" then "*" to return to the main menu. If you press any key other than "1", the TEC will sound a long error beep. Press "*" to return to the Buffer Information menu. Press "*" again, to return to the Main menu.

CLEAR DATA

SET PARAMETERS

CLEAR DATA

Pressing "1" returns all Entrance Control, System Parameters and Communication Setup settings to the SES factory defaults. These defaults are shown on Pg. 28 and 29. Press "1" to reset the parameters

CLEAR TIME ZONES

Pressing "2" causes this selection to clear any previously programmed time zone and resets all times to 00:00. Press "1" to Clear, "0" to Abort. Press "*" to return to the Main menu.

CLEAR HOLIDAYS

Pressing "3" causes this selection to clear all Holidays from memory. This is useful for Holidays that are observed on different days from year to year, such as Thanksgiving or Labor Day. Press "1" to Clear, "0" to Abort. Press "*" to return to the Main menu.

**TEC Series v 3.2X
CLEAR ACCESS LEVELS**

SETUP AND PROGRAMMING

Pressing "4" causes this selection to clear all access levels of any previously programmed data. Press "1" to Clear, "0" to Abort. Press "*" to return to the Main menu.

CLEAR ACCESS GROUPS

Pressing "5" causes this selection to clear all access groups of any previously programmed data. Press "1" to Clear, "0" to Abort. Press "*" to return to the Main menu.

CLEAR ENTRANCES

Pressing "6" causes this selection to clear all entrance data. Press "1" to Clear, "0" to Abort. Press "*" to return to the Main menu.

CLEAN DIRECTORY CODES

Pressing "7" causes this selection to clean the corrupted directory codes. Press "1" to Clear, "0" to Abort. Press "*" to return to the Main menu.

DISPLAY DATA

Pressing the menu election "9" is used with an optional printer (OPTPRT), or a CRT or terminal for sub-menu choices 1 through 5. Data is sent to the optional serial port. It is used to print various parameters, such as Time Zones, Holidays, Access Levels, Access Groups and general Information. Sub-menu choices 6 through 9 send data to the LCD display on the front panel of the Tec. To select this function, press "9" from the Main Menu. You will see the display, shown to the right.

**DISPLAY DATA
SELECT 1 - 5**

**PRINTING BUSY
PLEASE WAIT**

Pressing any selection from "1" to "5" will cause the display at right, to be shown briefly.

**DISPLAY DATA
SELECT 1 - 5**

Next, this message will be shown. Press "*" to return to the sub-menu and print out other information

PRINT INFO

Pressing "1" will send the system configuration information (like the example below) for this TEC to a CRT or printer.

```

VER 3.XX
CODE CAP = 0110
PHONE CAP = 0100
CODE LENGTH = 3
PIN LENGTH = 4
CR BIT TYPE = 1
ENA ACC GRP = 0    (TECs with optional clock, only.)
PRESS # TO VIEW
DIRECTORY
PROGRAM PSWD = 777777
    
```

PRINT TIME ZONES

Pressing "2" will send time zones to a CRT or printer.

continued

ZONE	STIME	ETIME	SMTWTFSH
0	00:00	23:59	1234567---
1	07:45	08:30	-23456----
2	16:30	17:15	-23456----
3	00:00	00:00	-----

ZONE	STIME	ETIME	SMTWTFSH
4	00:00	00:00	-----
5	00:00	00:00	-----
6	00:00	00:00	-----
7	00:00	00:00	-----

SETUP AND PROGRAMMING

PRINT

Pressing "3" will send holidays to a CRT or printer.

HOL	MONTH	DATE
00	00	00
01	00	00
02	00	00
03	00	00
04	00	00
05	00	00
06	00	00
07	00	00
08	00	00

PRINT ACCESS LEVELS

Pressing "4" will send all Access Levels to a CRT or printer.

LEVEL	ENTRANCE	TZ	STIME	ETIME	SMTWTFSH
00	1234	00	00:00	23:59	1234567-
01	12—	01	07:45	08:30	-23456---
02	1-3—	02	16:30	17:15	-23456---
03	-23—	00	00:00	23:59	1234567-
04	-----	00	00:00	23:59	1234567-
05	-----	00	00:00	23:59	1234567-
06	-----	00	00:00	23:59	1234567-
07	-----	00	00:00	23:59	1234567-

PRINT ACCESS GROUPS

Pressing "5" will send Access Groups to a CRT or printer. In this example, 3 Access Groups of the possible total of 8, are shown.

AG	AL	ENTRANCE	TZ	STIME	ETIME	SMTWTFSH
01	01	12-456789012345	01	07:45	08:30	-23456--
02	02	123—67—1-345	02	16:30	17:15	-23456--
03	00	-23—————	00	00:00	23:59	1234567-

TEC Series v 3.2X

DISPLAY TIME ZONE

Pressing "6" displays the time zone information on the LCD display located on the front panel of the TEC. When first selected, the display defaults to the data in Time Zone 0. Press any key from 0 through 7 to see the data for Time Zones 0 through 7. Press "*" to return to the Display Data menu.

DISPLAY HOLIDAYS

Pressing "7" displays the holiday information on the LCD display located on the front panel of the TEC. When first selected, the display defaults to the data for holiday 0. Press any key from 0 through 8 to see the data for holidays 0 through 8. Press "*" to return to the Display Data menu. A time zone can be set that is only valid on Holidays, for applications that require different hours of access on Holidays.

DISPLAY ACCESS LEVELS

Pressing "8" displays the access level information on the LCD display located on the front panel of the TEC. When first selected, the display defaults to the data in Access Level 0. Press any key from 0 through 7 to see the data for Access Levels 0 through 7. The TEC displays Access Level, the doors that are valid, and the Time Zone selected for that Access Level. Press "*" to return to the Display Data menu.

DISPLAY ACCESS GROUPS

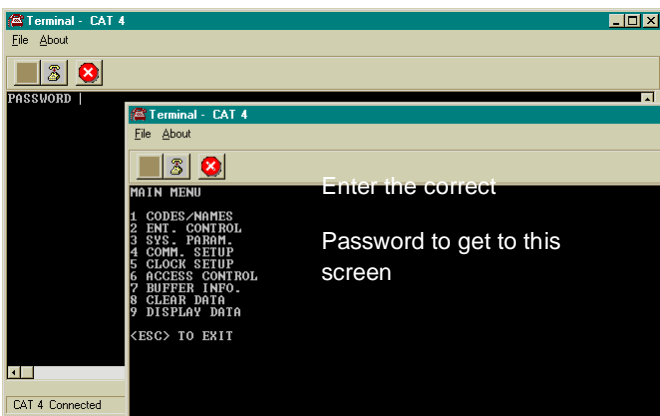
Pressing "9" displays the Access Group information on the LCD display located on the front panel of the TEC. When first selected, the display defaults to the data in Access Group 0. The TEC displays Access Group and the Access Levels that are valid for that Access Group. Press any key from 0 through 7 to see the data for Access Groups 0 through 7. Press "*" to return to the Display Data menu.

USING A TERMINAL TO PROGRAM

It is occasionally necessary to directly program TEC units' memory. The following example uses SES's Program SELCOM 7 or newer as an example. To use other terminal programs, consult their manual for setup and use. Using Selcom 7 or newer, proceed with the following.

- 1) Select the desired site.
- 2) Click on Options.
- 3) Click on Terminal.
- 4) Click on File, then Place Call or click on the telephone icon.

If connecting with a serial connection, you must press the [ESC] key for the unit to prompt you for the password. If you do not press [ESC], the unit will send transaction data to the terminal as it occurs. If connecting with a modem, Selcom 7 or newer will call the TEC unit and prompt you for the password by changing the screen from white to black and prompting with the word PASSWORD_ This is the programming password found in your System CFG menu. Key in the 6 digit password and press "Enter" You should get a selection that says Main Menu and has 9 selections available.



If you make a mistake at any time, before pressing the <Enter> key you can correct it by using the <Backspace> or <BkSpc> key. This will depend on what it is called on your keyboard.

<< This shows on the display window first with a modem or after pressing <Esc> using a serial connection.

<<This shows after entering the correct password window

After you see this in the window, you have six seconds to start to press the six digit pass code. The factory default pass code is 777777. Each time you press a key, a "*" will appear in the window to keep the pass code confidential. After entering the sixth key, press the <Enter> key. This should bring you to the main menu. If you don't press a key in any 6 second period, the TEC automatically reverts to operational mode. If during programming, you don't press any key for 60 seconds, the TEC automatically reverts to operational mode.

The choices for the main menu are:

- | | |
|-------------------------|--|
| 1. CODES / NAMES | Change Directory items (Codes, Names, Card #'s, Phone #'s) |
| 2. ENT. CONTROL | Setup Entrance Timing, Open Tones, Latch Tones, etc. |
| 3. SYSTEM PARAMETERS | Change Title Page Text, Talk Time, PIN Length, Unit ID, etc. |
| 4. COMMUNICATIONS SETUP | Modify Baud Rate, Site Code, Password, PIN Entrance, etc.. |
| 5. CLOCK SETUP | Check Internal Clock Time/Date, Holidays, Time Zones, etc.. |
| 6. ACCESS CONTROL | Setup Access Groups, Levels, External Readers |
| 7. BUFFER INFO | View and Erase Transaction Log Buffer |
| 8. CLEAR DATA | Erase Holidays, Time Zones, Reset Entrance Timing, etc... |
| 9. DISPLAY DATA | Examine System, Access Control and Entrance Parameters, etc. |

The nine choices above may have from 1 to 9 additional choices in a particular category. After you make a menu selection and completed the task or want to return, pressing the <Enter> key will return to the main menu.

To examine the complete Menu structure continue to the next page.

To see how to use the Codes/Names (Directory) Menu go to page 54.

To use the terminal to change operating parameters, go to page 57.

TEC Series v 3.2X

MANAGER PASSCODE

The first 3 digits of the 6 digit pass code are for programming main menu choice 1 (CODES/ NAMES) only. This is useful for on site maintenance of names and codes. This prevents the system parameters and configuration from being inadvertently modified after installation.

Following is an overview of the menu selections possible on a TEC.

PROGRAMMING CHOICES

MAIN MENU

1 = CODES / NAMES

1 = ADD / FIND NAME	FOLLOW MENU
2 = FIND NAME	1 -6 ALPHA NUMERIC
3 = FIND PIN	1—6 DIGITS
4 = FIND CARD	5 DIGITS
5 = CODES USED	DISPLAYS # USED
6 = SHOW ALL CODES	CRT ONLY
7 = SHOW ALL NAMES	CRT ONLY
8 = ENA ACC GRP = 1	ENABLES ACCESS GROUPS

2 = ENT. CONTROL

		FACTORY DEFAULTS
SELECT ENT 1 - 4	SELECT ENTRANCE	
ENT X		
1 = UNLOCK TIME	1 -99 SECONDS	10
2 = UNLOCK TONE	0 -9 T-TONE RECV'D	6
3 = AUTO GROUP	0 -7	0
4 = LATCH TONE	0 - 9 T-TONE RECV'D	0
5 = AJAR TIME	0—99 SECONDS	0

3 = SYS. PARAMETERS

1 = TALK TIME	1 -99 MINUTES	01
2 = ALARM TIME	1 -99 SECONDS	10
3 = CODE LENGTH	1 -6 DIR LENGTH	3
4 = PIN LENGTH	0 -6 PIN LENGTH	4
5 = BACK BEEP	0-1, (1 = ENABLE)	0
6 = TONE DIAL	0-1, (1 = T-TONE DIAL)	1
7 = UNIT ID	0 -9 RING COUNT	3
8 = STRIKE OUT	0-1, (1 = ENABLE)	0
9 = TITLE PAGE		

PROGRAMMING CHOICES continued

4 = COMM. SETUP

- 1 = TERMINAL TYPE
- 2 = RS-232 BAUD
- 3 = PROGRAM. PSWD
- 4 = PIN ON ENT = 1
- 5 = SITE CODE
- 6 = DIRECTORY ON =1
- 7 = KEYPAD ON = 0
- 8 = SPKR TONE = 0

FACTORY DEFAULT	
0 - 1, (1 = VT100A)	1
0 - 6, (0=300, 6=19200)	5
1 - 6 DIGITS	777777
1 DIGIT	1
0 - 255	000
0 - 1, (1 = ON)	1
0 - 1, (1 = ON)	0
0 - 9	0

9 = UPDATE LCD (TECVISION ONLY)

5 = CLOCK SETUP

- 1 = SET CLOCK
- 2 = SET TIME ZONES
- 3 = SET HOLIDAYS

6 = ACCESS CONTROL

- 1 = SET GROUPS
- 2 = SET LEVELS

7 = BUFFER INFORMATION

- 1 = VIEW LOG
- 2 = SEND LOG
- 3 = FIND CODE
- 4 = LOG SIZE
- 5 = CLEAR BUFFER

8 = CLEAR DATA

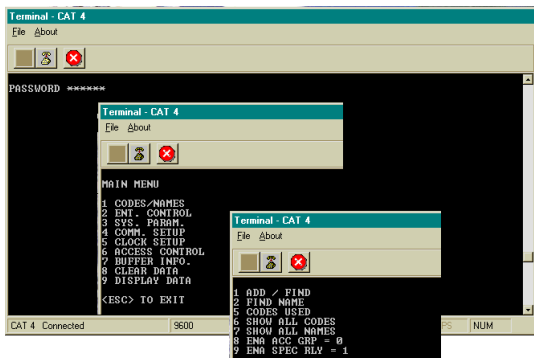
- 1 = SET PARAMETERS
- 2 = CLEAR TIME ZONES
- 3 = CLEAR HOLIDAYS
- 4 = CLEAR AC-LEVELS
- 5 = CLEAR AC-GROUPS
- 6 = CLEAN CODES

9 = DISPLAY DATA

- 1 = PRINT INFO
- 2 = PRINT TIME ZONES
- 3 = PRINT HOLIDAYS
- 4 = PRINT A-C LEVELS
- 5 = PRINT A-C GROUPS

TEC Series v 3.2X

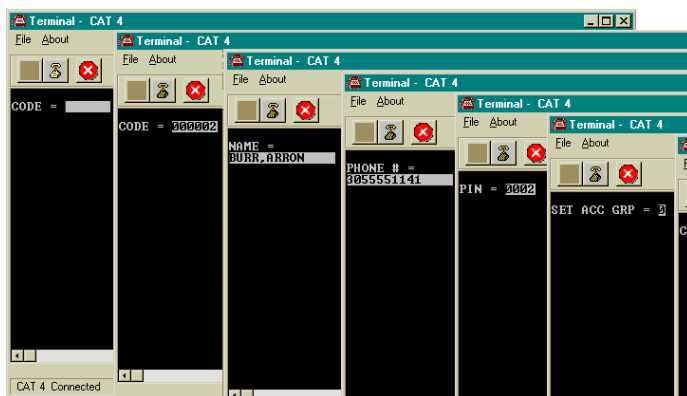
CODES / NAMES



(CAT Shown. TEC is similar.)

Pressing "1" (after entering the password) will show the choice at left.

ADD / FIND NAME



This shows after Pressing "1" on the Codes/ Names menu. You will be prompted for the code as shown at left:

(CAT Shown. TEC is similar.)

To delete a code number, key in the code number then press the "DEL" (delete key) followed by the "Enter" key.

To delete a part of a code number, such as a phone number, PIN # or card #, go to that field by pressing the "Enter". When you reach the desired field, key in "0", and then the "Enter" key. This will delete the data in that field, but not any of the other fields associated with the code number.

IF YOU TYPE ANY CHARACTER, IN THE FIRST POSITION OF A NAME FIELD, IT WILL DELETE ALL DATA ASSOCIATED WITH THAT CODE NUMBER.

PHONE # =: You will be prompted for the phone number. Enter the numbers normally. For this field, letters are not possible. Press the ":" key to generate a 3 second pause.

HIDE NAME FEATURE: Place a pause as the first item in the phone number (ex. :5551212). The name will not display in the directory, but anyone who dials the code number will still be able to reach the resident. It is not necessary to enter phone numbers in a TECCard but it is allowed for convenience.

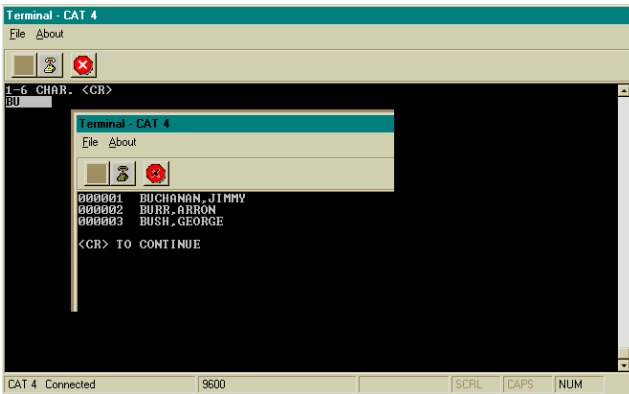
PIN =: You will be prompted to enter a PIN. A PIN is a Personal Identification Number. This will allow anyone who knows this number to use the PIN entrance by entering a "*" and this PIN code. Each name may have a PIN code. The PIN code length is from one to six digits, depending on what you selected from the system parameters menu. All PIN codes must be the same length as what was selected from the system parameters menu. Enter the PIN code, and then the "Enter" to place the PIN code into memory. If you disable the PIN (PIN length = 0), this choice will not display.

FIND CARD

FIND CARD: Another selection in this sub-menu is find card reader number. The TEC system allows one card number per code entry. These are five digit numbers used with the card reader interface. If Facility Site code = 000, this selection may not display.

The card number that will be given to the name or group must be known. Enter this number into memory. If you make mistakes while keying in the number, press the back arrow. This will backspace over the mis-keyed digit. After entering the Card code number, press the "Enter" key to place the Card code number into memory.

FIND NAME

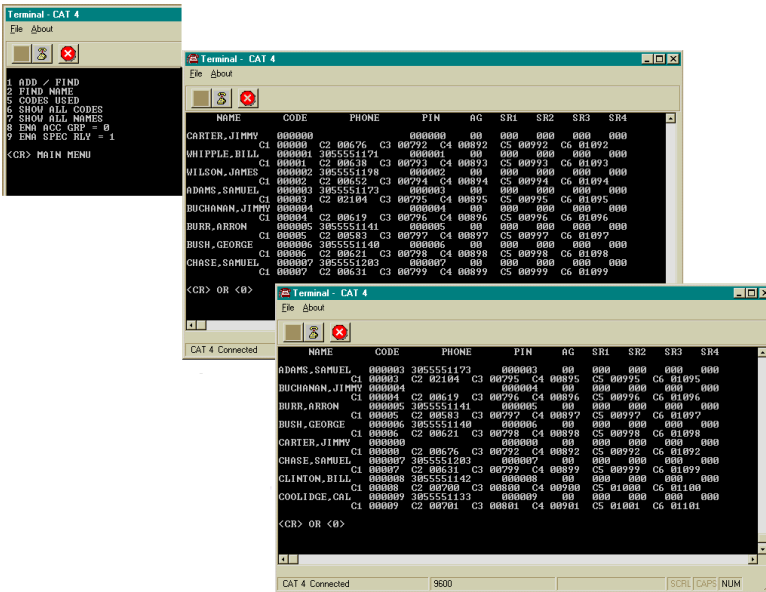


To select the find name function, press "2" from the Codes/Names menu. You will be prompted for 1 - 6 characters. Select characters in the same manner that you programmed names into memory. When you have entered all desired characters, press the "Enter" key.

This message will display whatever code number matches the letters selected. If there is more than one name with similar letters, pressing the press the "Enter" key will display additional code numbers that meet the selection criteria.

If there is no match, you will be prompted to press "Enter" or * key from the terminal. Pressing the "Enter" key will return to sub-menu 1 (See section on Codes / Names).

SHOW ALL CODES



Codes: Select this sub-menu from the Codes/Names menu by pressing "8". This selection will list code numbers and all data associated with code numbers, sorted by CODE NUMBER in ascending order. It sends this data out to the computer screen.

(CAT Shown. TEC is similar.)

SHOW ALL NAMES

Names: Select this sub-menu from the Codes/Names menu by pressing "9". This selection will list code numbers and all data associated with code numbers, sorted by NAMES in ascending order. It sends this data out to the computer screen.

TEC Series v 3.2X

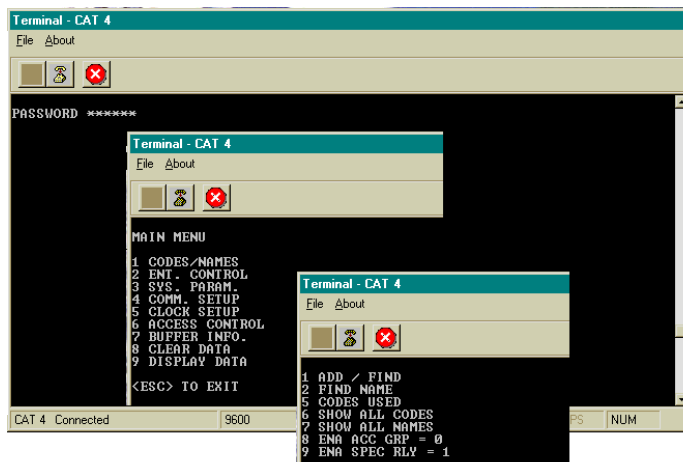
ENABLE ACCESS GROUPS

ENA ACC GRP = 0

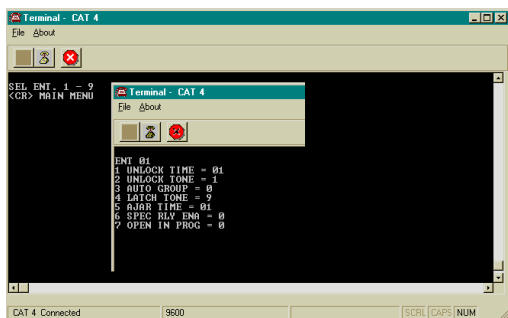
Access Groups allow more control of a TEC by adding time zone control and increased card reader control.

To enable Access Groups from the factory default of 0, press "8" from the Codes / Names menu to get this sub-menu. Press "1" to enable Access Groups, and press the "Enter" key. This will return you to the Codes / Names menu.

(CAT Shown. TEC is similar.)



ENTRY CONTROL



The Entry Control menu comes with factory defaults that should be sufficient for most installations. These default values are shown on Pg. 51 and 52 . Some functions work with options that may not be present on your TEC unit. To get the menu at left, press "2" and then select the entrance to modify, The TEC unit can support up to 4 entrances with options installed.

ENTRANCE X UNLOCK TIME

Press "1" from the Entry Control menu to set the time in seconds from 1 to 99 seconds. This is the length of time the door control relay for door 1 will be energized. The factory default is 10 seconds. A good rule of thumb for entry time is 3 seconds plus 2 seconds for every step from the TEC to the entrance being controlled. To change time, key in the time desired and press the "Enter" key. You will be returned to the Entry Control menu.

ENTRANCE X UNLOCK TONE

The Entrance X tone refers to the Touch-Tone™ number from a telephone that must be pressed to energize the door control relay. This relay will be energized for whatever length of time was selected. Rotary or pulse type telephones must dial any number "6" or greater to energize the door control relay. This will energize only the primary door control relay. To change the number from the default setting of 6 to another number, press "2" from the Entrance 1 Control menu. Select the new number (from 1 -

NOTE: SELECTING A "0" DISABLES ENTRANCE XX UNLOCK TONE FEATURE.

ENTRANCE X AUTO GROUP

The Entrance X Auto Group refers to the group of Access levels and time zones that allow the entrance to automatically open on given days for the hours that match the time zone programmed. . To change the number from the default setting of 0 to another number, press "3" from the ENT 1 Control menu. Select the new number (from 0 - 9) and press the "Enter" key. You will be returned to the Entry Control menu. **SELECTING A "0" DISABLES THE AUTO GROUP FUNCTION.** Selecting a number from 1 - 7 allows that number to automatically open the door on the days and times set for that group.

ENTRANCE X LATCH TONE

The Entrance X latch tone refers to the touch tone numbers that allow the entrance to automatically latch open when called in remote control mode. To change the number from the default setting of 0 to another number, press "4" from the ENT 1 Control menu. Select the new number (from 0 - 9) and press the "Enter" key. You will be returned to the Entry Control menu. SELECTING A "0" DISABLES THE LATCH TONE FUNCTION. Selecting a number from 1 - 9 allows that number to automatically latch open the door for that entrance.

NOTE: IF ENT X TONE AND ENT X LATCH ARE THE SAME NUMBER, THE ENT 1 RELAY WILL NOT LATCH OR TIME OUT. IT WILL ENERGIZE BRIEFLY, AND THEN DE-ENERGIZE.

ENTRANCE X AJAR TIME

Press "5" from the Entry Control menu to set the ajar time. The ajar time is the length of time an entrance may be left ajar before energizing the optional alarm relay. This time is programmable from 1—99 seconds. Default is 0 (Off)

```

Terminal - CAT 4
File About
SEL ENT . 1 - 9
<CR> MAIN MENU

Terminal - CAT 4
File About

ENT 01
1 UNLOCK TIME = 01
2 UNLOCK TONE = 1
3 AUTO GROUP = 0
4 LATCH TONE = 9
5 AJAR TIME = 01
6 SPEC RLY ENA = 0
7 OPEN IN PROG = 0

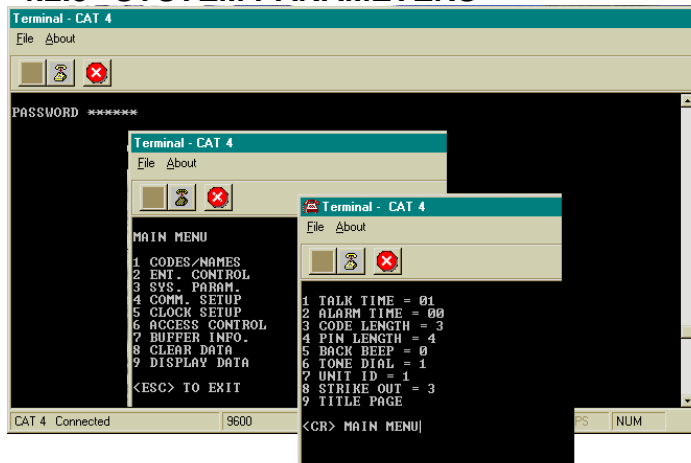
CAT 4 Connected 9600 SCRL CAPS NUM

```

(CAT Shown. TEC is similar.)

TEC Series v 3.2X

4.2.3 SYSTEM PARAMETERS



The System Parameters menu comes with factory defaults that should be sufficient for most installations. These default values are shown on Pg. 51 and 52. Some functions work with options that may not be present on your TEC. For example, selection 2 Alarm Time is not valid unless the optional alarm control relay (OPTK3R) has been purchased. To get the menu at left, press "3" from the main menu.

(CAT Shown. TEC is similar.)

TALK TIME

Talk Time is the time in minutes from 1 - 99 minutes that the TEC remains connected after dial out. In areas of the country where rate usage is a concern, the factory default is 1 minute. For other applications, the talk time can be adjusted upward by pressing "1" from the System Parameters menu to get this sub-menu. Key in the desired number (must be 2 digits) and press "Enter" key. This will return you to the System Parameters menu.

ALARM TIME

Alarm time is the time in seconds that the optional alarm relay control (OPTK3R) is energized. To change the alarm time from the factory default of 10 seconds, press "2" from the System Parameters menu to get this sub-menu. Key in the desired number (must be 2 digits) and press "Enter" key. This will return you to the System Parameters menu.

CODE LENGTH

Code length is the number of digits from 1 to 6 entered on the keypad to dial a phone from the TEC. To change the code length from the factory default of 3 digits, press "3" from the System Parameters menu to get this sub-menu. Key in the desired number from 1 - 6 and press "Enter" key. This will return you to the System Parameters menu.

PIN LENGTH

PIN length is the number of digits from 0 to 6, entered from the keypad to enter a PIN code from the TEC. To change the PIN length from the factory default of 4 digits, press "4" from the System Parameters menu to get this sub-menu. Key in the desired number from 0 - 6. SELECTING PIN LENGTH = "0" DISABLES THE PIN FUNCTION. Press "Enter" key to return to the System Parameters menu.

BACK BEEP

Back Beep is a background tone that will "beep" every 10 seconds when enabled. This allows a called party to determine if someone called from a TEC. To enable the back beep from the factory default of 0, press "5" from the System Parameters menu to get this sub-menu. Press "1" to enable Back Beep, and press "Enter" key. This will return you to the System Parameters menu.

TONE DIAL

Tone dial selects whether the TEC dials out with Touch-Tones™, or uses pulses, like rotary dial phones. In areas of the country where Touch-Tone™ is not available, tone dial may be disabled. To disable the Tone Dial from the factory default of 1, press "6" from the System Parameters menu to get this sub-menu. Press "0" to disable Tone Dial, and press "Enter" key. This will return you to the System Parameters menu.

Unit ID or Ring Count

Unit ID or Ring Count is the number of rings the TEC listens to before it answers. This is useful for the software (Selcom 7 or newer) to identify that it is connected to the correct unit and operating the door control relay without being called, or for Remote Programming. If ring count is 0, the TEC will not answer at all. To change the ring count from the factory default of 3 rings, press "7" from the System Parameters menu to get this sub-menu. Key in the desired number from 0 - 9 and press "Enter" key. This will return you to the System Parameters menu.

STRIKE OUT

Strike Out refers to the number of incorrect PIN code entries that can be made before the TEC "locks up". Once the TEC "locks up", it ignores any key entries for 60 seconds. This is to discourage attempts to guess PIN codes. Select Strike Out from the Door Control menu by pressing "9". To change from the factory default setting of 3, press any key from 0 - 9 and then press "Enter" key.

NOTE: IF 0 IS SELECTED, THE TEC WILL PERMIT UNLIMITED ATTEMPTS TO GUESS PIN CODES.

If you enter an invalid PIN code, an error message like the one at right, will display. Wait until the title screen (if selected) appears, or until the error message goes away before re-keying the PIN code.

**INVALID PIN
TRY AGAIN**

If the number of strike outs is exceeded, an error tone will sound. A message like the one at right, will be shown on the

BUSY PLEASE WAIT

If you enter a valid PIN code, the door control relay will energize and the open message shown at right, will display on the TEC for approximately 2 seconds and then revert back to the title page.

OPEN

TITLE PAGE

The Title Page has two lines of up to sixteen characters per line, including punctuation. The Title Page can be programmed from the keypad in the same manner as names were programmed.

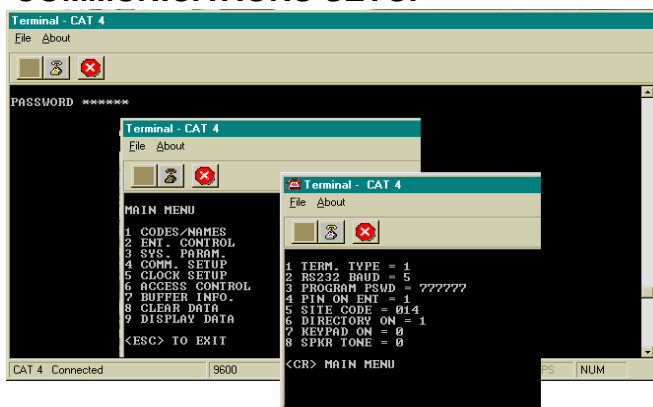
The TEC comes with a title page that says "PRESS # TO VIEW DIRECTORY", until the title page is reprogrammed. To program the Title Page from the factory default of "PRESS # TO VIEW DIRECTORY", press "9" from the System Parameters menu to get this sub-menu. Key in the desired characters. Press BkSpc from a terminal program, or "0" and "#" simultaneously from the keypad, to backspace one character. When the first line is complete, press "Enter" or "*" key to advance to the second line.

TITLE PAGE additional Line

Continue the second line as required. If you require any modifications of line 2, then line 1 must be re-entered first. After completion, press "Enter" key. This will return you to the System Parameters menu.

NOTE: REMEMBER TO PRESS "#" KEY AFTER LAST CHARACTER, OR IT WILL NOT BE PROGRAMMED.

TEC Series v 3.2X COMMUNICATIONS SETUP



The Communications Setup menu comes with factory defaults that should be sufficient for most installations. These default values are shown on Pg. 51 and 52. Some functions are used with options that may not be present on your TEC. For example, selection 2 RS-232 Baud is not valid unless you purchase the optional serial printer interface (OPTKPRT). Press "4" from the main menu.

(CAT Shown. TEC is similar.)

TERMINAL TYPE

The TEC is designed to respond to terminals that follow VT-100B terminal control codes. It also can respond to "dumb terminal" codes. To disable the Terminal Type from the factory default of 1, press "1" from the Communications Setup menu to get this sub-menu. Press "0" to disable VT-100B emulation, and press "Enter" key. This will return you to the Communications Setup menu.

RS-232 BAUD

The RS-232 Baud refers to the rate of speed for serial communications, such as a printer or terminal would need. This function requires the optional printer interface (OPTKPRT). The different rates are:

	0 =	300	BAUD
	1 =	600	BAUD
	2 =	1200	BAUD
Protocol for serial devices is fixed	3 =	2400	BAUD
at 8 bits, No parity, 1 stop bit.	4 =	4800	BAUD
(8,N,1)	5 =	9600	BAUD
	6 =	19200	BAUD

To change the RS-232 Baud from the factory default of 5, press "2" from the Communications Setup menu to get this sub-menu. Next, select the number corresponding to the desired baud, and press "Enter" key. This will return you to the Communications Setup menu.

PROGRAM PASSWORD

The TEC leaves the factory with a default password of 777777. The Password may be alphanumeric (1 - 6 characters) if programmed from the terminal. From the front keypad, only numbers (1 - 6 digits) are supported. This provides an additional level of security if you connect a terminal to a TEC. It is possible to create passwords that can not be accessed from the front keypad. To change the Program Password from the factory default of 777777, press "3" from the Communications Setup menu to get this sub-menu. Key in the desired 6 digits for the new password, and press "Enter" key. You will be returned to the Communications Setup menu.

NOTE: 1st 2 DIGITS OF PROGRAM PASSWORD ARE THE CONTROL PASSWORD, FOR REMOTE CONTROL OF TEC UNIT (SUCH AS ENTRANCE LATCH). 1st 3 DIGITS OF PROGRAM PASSWORD ARE THE MANAGERS PASSWORD THAT ALLOWS ONLY CODE, NAME, PHONE, PIN, CARD, AND GROUP CHANGES.

PIN ON ENTRANCE

This function determines which door control relay is activated when a PIN code (or a Rotary "6" from a called unit) is received by the TEC. To change the number from the default setting of 1 to another number, select "4" from the main menu. Select "4" from this sub-menu. Select the new number (from 1 — 4) and press the "Enter" key. You will be returned to the COMM. SETUP menu.

SITE CODE The Site Code (sometimes called a Facility Code) is used with the Card Readers. Site Code is used to identify the group of cards being used with a particular TEC. This keeps cards on one facility from being used in another facility. The range of Site Codes is from 000 - 254. To change the Site Code from the factory default of 000, press "5" from the Communications Setup menu to get to this sub-menu. Key in the desired 3 digits corresponding to the Site Code of the cards you have purchased, and press "Enter" key.

NOTE: IF SITE CODE = "000" THE CARD READER FUNCTION IS DISABLED, AND CARD # WILL NOT APPEAR IN CODE/NAMES PROGRAMMING MENU . IF SITE CODE IS SET TO 255, THE SITE CODE ON THE CARD WILL BE IGNORED, AND SECURITY OF CARDS WILL BE REDUCED.

DIRECTORY ON / OFF This selection allows all directory names to be suppressed from the display. The codes keyed in will still display. All names will still print to the optional printer (OPTKPR). To disable Directory from the factory default of 1, press "6" from the Communications Setup menu to get this sub-menu. Press "0" to disable Directory, and press "Enter" or "*" key.

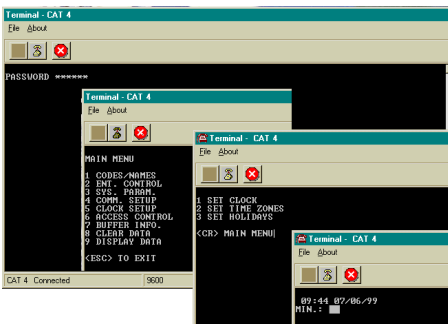
KEYPAD ON / OFF This selection allows the keypad to remain active after dial out. This is useful for answering machines, voice mail, and other functions requiring a Touch-Tone™ signal after communications are established. To enable keypad from the factory default of 0, press "7" from the Communications Setup menu to get this sub-menu. Press "1" to enable the keypad, and press "Enter" key. Only the number keys are active, * and # will not work. Press "Enter" key. This will return you to the System Parameters menu.

SPEAKER TONE This selection allows the speaker to be activated for remote control from a telephone in order to listen in. When enabled, the TEC has an open audio channel to permit conversation from someone calling in to the TEC (the microphone is also enabled at the same time). To enable speaker from the factory default of 0 (disabled), press "8" from the Communications Setup menu to get this sub-menu. Select a digit from 1 to 9 to enable speaker, and press "Enter" key. This will return you to the Communications Setup menu.

UPDATE LCD (TECVISION ONLY) This selection allows information in the TEC memory to be transferred to the display memory. Press 9 to enable update and then press "Enter" or "*" key. This will return you to the Communications Setup Menu.

CLOCK SETUP

SETTING TIME / DATE



MIN.: Select "1" to set the time & date. You will be prompted to enter the current time in minutes as a one or two digit number (0 to 59). If you make a mistake, press <BkSpc> to backspace one character. After the minutes are entered, press the "Enter" key.

HOUR: Enter a 1 or 2 digit number (0 to 23) to set the hour. If a mistake is made, press <BkSpc> to backspace each character. After the hour is entered, press the "Enter" key.

DAY, 1..7: This is NOT the day of the month. This is a number which corresponds to the day of the week. Enter a number corresponding to the day of the week. Sunday is "1", Saturday is "7" and so forth. If you make a mistake, press <BkSpc> to backspace one character. After the day of the week is entered, press the "Enter" key.

NOTE: ONCE TIME/DATE PROGRAMMING HAS BEGUN, ALL SELECTIONS MUST BE COMPLETED FOR CHANGES TO TAKE EFFECT.

TEC Series v 3.2X

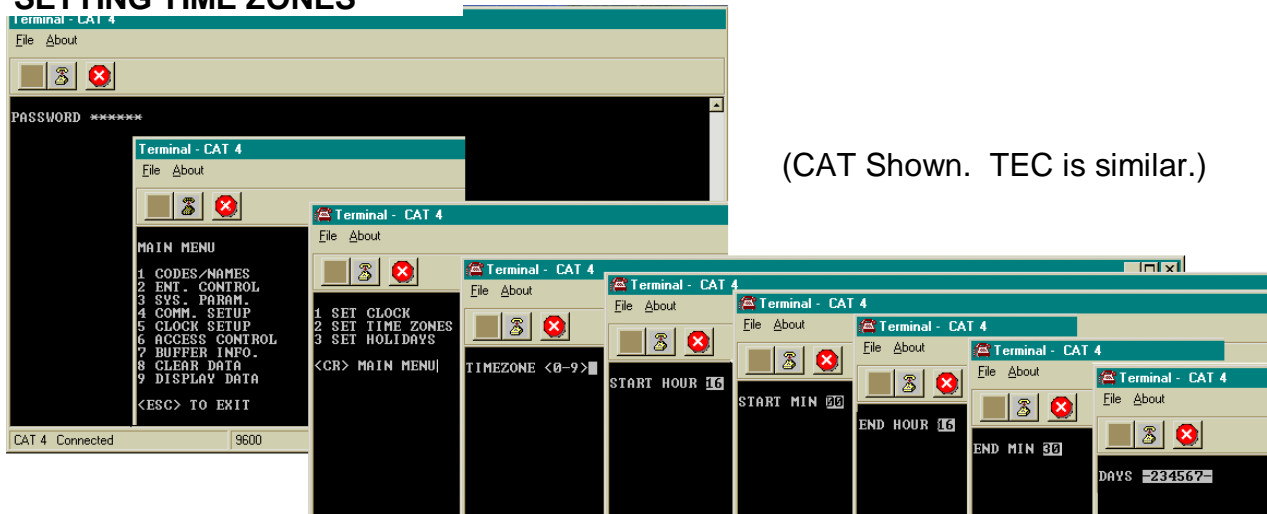
SETTING TIME / DATE continued

DATE: Enter a 1 or 2 digit number to set the day of the month. If a mistake is made, <BkSpc> to backspace one character. After the day is entered, press the "Enter" key.

MONTH: Enter a 1 or 2 digit number to set the month. If you make a mistake, <BkSpc> to backspace one character. After the month is entered, press the "Enter" key.

YEAR: Enter a 2 digit number to set the year. If you make a mistake, <BkSpc> to backspace one character. After the year is entered, press the "Enter" key.. You will be returned to the Clock Setup menu.

SETTING TIME ZONES



A time zone is a period of time that limits when the TEC is valid. Use this to control access to a facility, when a given condition is valid, based on:

- 1) The time of day.
- 2) The day of the week.
- 3) Whether or not the day of the week is a Holiday.

A time zone is valid only within a 24 hour period that begins at midnight. A time zone has a start time and an ending time. This can be as short as two minutes, or as long as 24 hours. This time period is valid in combinations from 1 to 7 days and Holidays. There are 8 time zones numbered 0 - 7 available for use on a TEC. Holidays may be set up at any time. A time zone can have valid Holidays, or invalid Holidays. A time zone can be set that is only valid on Holidays, for applications that require different hours of access on Holidays.

From the main menu, select "5" for clock setup, then "2" for time zone.

TIMEZONE <0-7>: You will be prompted to select a time zone between 0 and 7. If you make a mistake, press BkSpc to backspace one character. Once programming of a time zone is begun, all choices must be keyed in or you will be returned to the beginning of the time zone menu.

START HOUR 00: After the time zone is selected, press the "Enter" key. You will be prompted to key in the hour. This is a 1 or 2 digit number. The hour is expressed in 24 hour format (e.g., 2:25 P.M. is keyed in as 14:25), from 00:00 to 23:59.

If you make a mistake, press <BkSpc> to backspace one character. After the hour is entered, press the "Enter" key.

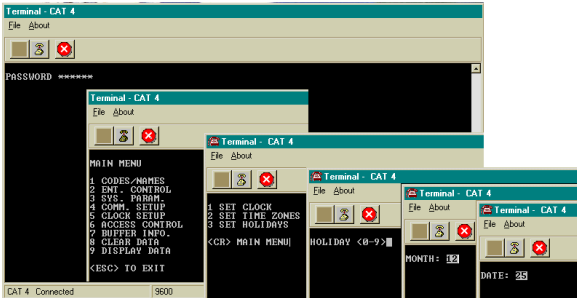
START MIN 00: You will be prompted to key in the minute. This is a 1 or 2 digit number between 00 and 59. If you make a mistake, press <BkSpc> to backspace one character. After the minute is entered, press the "Enter" key.

END HOUR 00: You will be prompted to key in the end hour. This is a 1 or 2 digit number. The hour is expressed in 24 hour format (e.g., 2:25 P.M. is keyed in as 14:25), from 00:00 to 23:59.

If you make a mistake, press <BkSpc> to backspace one character. After the hour is entered, press the "Enter" key.

END MIN 00: You will be prompted to key in the end minute. This is a 1 or 2 digit number between 00 and 59. If you make a mistake, press <BkSpc> to backspace one character. After the minute is entered, press the "Enter" key.

SETTING HOLIDAYS



Holidays can be used to keep time zones valid (or not) on Holidays, or by setting a different time zone to be valid for a different period of time on a Holiday. There are 9 Holidays numbered 0 - 8 available for use on a TEC.

HOLIDAY <0-8>: Select "3" to set the Holiday. Holidays may be entered in any order. You will be prompted to select a Holiday between 0 and 8. If you make a mistake, press <BkSpc> to backspace one character.

MONTH: After the Holiday is selected, you will be prompted to key in the month. This is a 1 or 2 digit number. If you make a mistake, press <BkSpc> to backspace one character. Press the "Enter" key after the month is entered.

DATE: After the month is selected, you will be prompted to key in the date. This is a 1 or 2 digit number between 1 and 31. If you make a mistake, press <BkSpc> to backspace one character. Press the "Enter" key after the date is entered.

This table may be used to help keep track of which Holidays are required for this installation. Writing them down in the table provided will help reduce programming entry errors. Remember, Holidays may be entered in any order.

Holiday	Month	Day	Holiday
0			
1			
2			
3			
4			
5			
6			
7			
8			

TEC Series v 3.2X ACCESS CONTROL

Access Control from a TEC is based on four general sets of conditions:

- 1) When a resident (who has been called from a TEC) keys in a valid door tone.
- 2) When a valid PIN code is presented at a door that is valid and has optional clock:
 - a) based on the time of day.
 - b) based on the day of week.
 - c) based on whether the day of the week is a Holiday or not.
- 3) When a valid card number is presented at an optional door card reader which is valid:
 - a) based on the card reader next to the entrance chosen for access.
 - b) based on the time of day.
 - c) based on the day of week.
 - d) based on whether the day of the week is a Holiday or not.
- 4) When an entrance group is valid, using automatic un-lock and re-lock, with optional clock.

The TEC has many combinations of access control based on these criteria. This versatility can be confusing, unless the access has been carefully defined BEFORE programming begins. The order in which to plan for an installation should be as follows:

1. Define access area. One entrance, or up to 4?
2. Define time zones.

What times is access allowed?

For Whom is access allowed? Everybody, or different groups of people?

What days is access to be allowed?

Are the time zones the same for different days, or different for different days?

Are Holidays used, and do Holidays require different time zones?

3. Define Access levels.

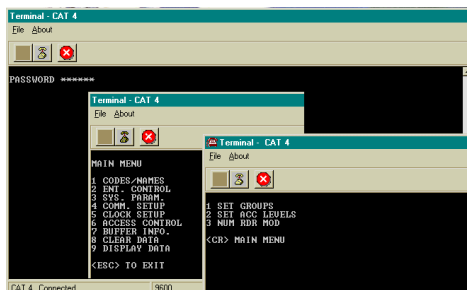
What time zone is valid for a given access level?

Which door is valid for an access level?

Is more than one door valid for a time zone?

4. Define Access Groups.

What combinations of access levels are in a group?



Is the access group to be used for PIN codes and Cards?

Is the access group to be used for automatic un-lock and re-lock?

The menu choices in this manual follow the order in which they appear on a TEC. These choices are in reverse order from how a site installation is typically planned. There are tables associated with each section. They are there to help with site planning. It is strongly recommended they be completely filled out BEFORE attempting any programming.

ACCESS GROUPS

From the main menu select "6" for Access Control.

Access Groups are used to allow groups of individuals card or PIN access by assigning a level or combination of levels to their group. Access Group Zero is predefined as an unlimited group. Group Zero allows access 24 hours a day, ALL days of the year. Access Groups are assigned to the individuals in the Directory. If you do not assign a Group to an individual during the directory entry, Zero (0) is assigned by default.

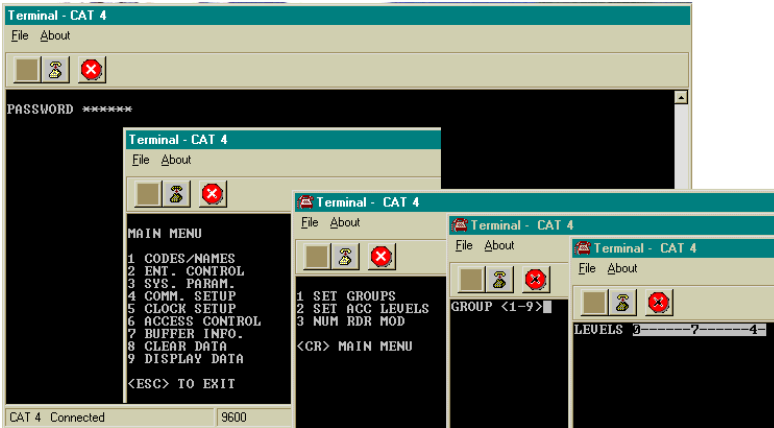
Since Access Levels can have different Time Zone and entrance combinations, this creates many combinations for control of an entrance based on PIN, Card, or time of day.

The second application for Access Groups is for automatic Unlocking (Opening) and Relocking (Closing) Entrances. If an Access Group has no valid Access Levels assigned, it may be used to prevent any entrance access at all.

SETUP AND PROGRAMMING

SELECTING AN ACCESS GROUP

Select "6" from the main menu. Press the "Enter" key from a terminal. Select "1" from this sub-menu. You will be prompted to select a group from 1 - 9 as shown below. Press the "Enter" key.



NOTE: ON THE NEXT 6 PAGES, THESE MENUS WILL ONLY APPEAR IF THE OPTIONAL CLOCK IS INSTALLED.

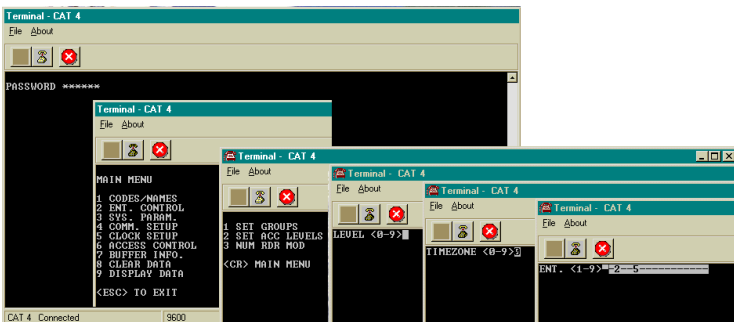
(CAT Shown. TEC is similar.)

SELECTING ACCESS LEVELS IN A GROUP

After selecting a group, you will be prompted for levels. These are any combinations from 0 - 7 in any order. Select "6" from the main menu. Press the "Enter" key.

Select "2" from this sub-menu. You will be prompted to select levels from 0 - 7 Key in the new levels desired and press the "Enter" key. To delete access levels entirely use Clear Access Levels.

ACCESS LEVELS



Access Levels are used to attach Time Zones to specific Entrances. Only one Time Zone is allowed per Access Level. Any combination of entrances may be selected, but at least one entrance must be selected, or the affected Access Level will not function. From one to four entrances may be assigned

to an Access Level. Different combinations of control may be created. Do this by assigning one entrance a Time Zone and an Access level, and another entrance the same Time Zone but a different Access Level. Now these Access Levels can be grouped in different combinations for the Access Groups.

SELECTING A TIME ZONE

You will be prompted to select a time zone from 0 - 7 as shown above. Select the desired zone number and press the "Enter" key.

SELECTING A ENTRANCE

You will be prompted to select a door 1 - 4 as shown above. Select the desired door combination and press the "Enter" key.

Use the table on the next page to help keep track of which Access Levels are required for this installation. Writing them down in the table provided will help reduce programming entry errors.

ACCESS LEVELS continued

ACCESS	TIME																
0																	
1																	
2																	
3																	
4																	
5																	
6																	
7																	

AUTOMATIC UNLOCK AND RELOCK BY TIME ZONE

The following example shows how a business might keep two entrances open during peak employee traffic, and secure those two entrances at all other times. Time Zone 1 is valid for one half hour in the morning, Monday through Friday. Time Zone 2 is valid for one half hour in the afternoon, Monday through Friday. Time Zone 0 is valid all the time, except Holidays.

Each Time Zone is assigned to a different Access Level. Both entrances are selected in the Access Levels. The morning and the afternoon Access Levels are grouped together in Access Group 1.

By setting Entrance Group 1 to Access Group 1, the entrance will automatically unlock during peak traffic, and relock at all other times. Employees whose PIN codes or cards are set to Access Level 0, can open the entrance at all other times. If employees try to use their PIN code while the entrances are unlocked, the display on the TEC will show "OPEN".

Time Zone Setting

Time Zone	Start Time		Stop Time		SU	Day of the Wk						Hol
	Hours HH	Min. MM	Hours HH	Min. MM		MO	TU	WE	TR	FR	SA	
0												
1	07	45	08	15		X	X	X	X	X		
2	16	45	17	15		X	X	X	X	X		

Access Level Setting

AL1 (USES TIME ZONE 1 MORNING HOURS M - F) , Entrances 1 & 2
AL2 (USES TIME ZONE 2 AFTERNOON HOURS M - F), Entrances 1 & 2

ACCESS LEVEL	TIME ZONE	ENTRANCE			
		1	2	3	4
0					
1	1	X	X		
2	2	X	X		

SETUP AND PROGRAMMING

EXAMPLE OF AN AUTOMATIC UNLOCK APPLICATION...Continued...

AG1 (USES ACCESS LEVELS 1 AND 2)
 THEN USE AG1 TO AUTO UNLOCK ENTR. 1 AND
 ENTR. 2

Access Levels					
ACCESS					
0	Always Active	Always Active			
1	X	X			
2					

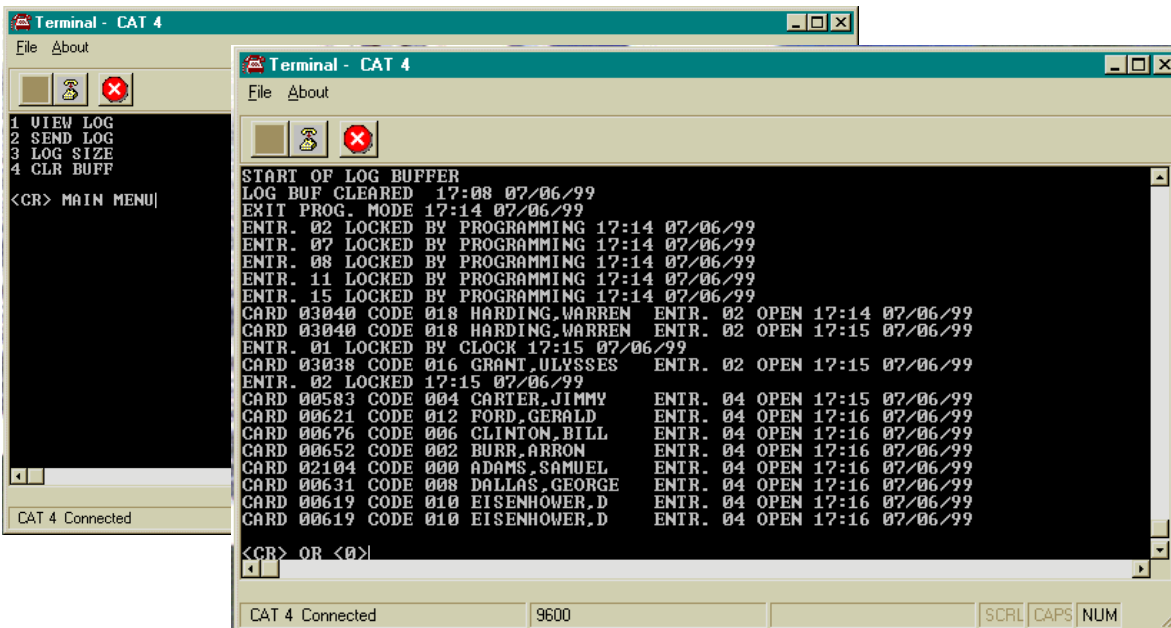
These are shorter versions of the other tables in this manual. Start by defining which entrance is to be unlocked, for how long, on which days. This is the time zone data. Next, define which combinations of doors are controlled by a time zone. This is an access level. Last, group access levels into an access group. The Entrance Group is that access group number.

TRANSACTION BUFFER INFORMATION

The transaction buffer stores any event that would normally create a logging printer message. For examples of report messages, see below. The size of the transaction buffer depends on the capacity of the TEC. Usually, the smaller the capacity the larger the transaction buffer space. After a transaction buffer becomes full, it begins to overwrite the oldest event in the transaction buffer storage space.

VIEW LOG

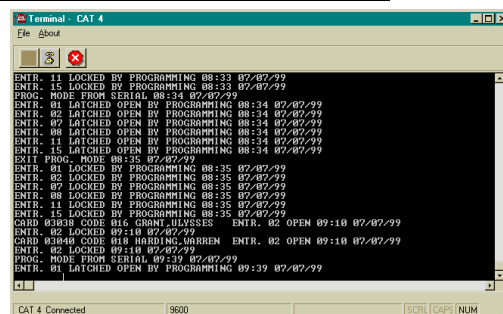
Press "7" then "1" from the main menu to get the selections shown below. View Log will display the Log one page at a time. Press "0" to stop and then "Enter" key to return to the Main menu

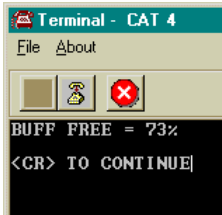


SEND LOG (CAT Shown. TEC is similar.)

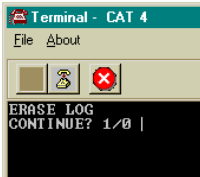
Pressing "2" will send all logging data. This allows the log to be viewed from start to finish from the terminal. The log will be shown non-stop .

CAUTION: No entry is accepted until the complete log is sent.

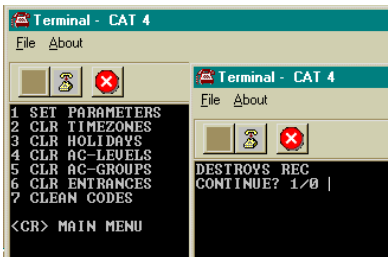


TRANSACTION BUFFER FREE

Pressing "3" will only show the approximate amount of space remaining in the buffer. A message similar to left will appear.

CLR (Erase) BUFFER

CLR BUFFER: Press "4" to get to the selection at left. Pressing a "1" then "Enter" key clears all transactions stored in the buffer for the TEC. If you press a "1" by mistake, press BkSpC to backspace over the "1". Press "0" then "Enter" key to return to the main menu. If you press any key other than "1", the TEC will sound a long error beep. Press "Enter" key to return to the Buffer Information menu. Press "Enter" key again, to return to the Main menu.

CLEAR DATA

The Clear Data selections enable you to reset the unit to zero values or factory defaults if zero would not be acceptable. A warning message requiring you to press "1" is present for each action. Press "Enter" key to return to the Main menu.

(CAT Shown. TEC is similar.)

SET PARAMETERS

Pressing "1" returns all Entrance Control, System Parameters and Communication Setup settings to the SES factory defaults. These defaults are shown on Pg. 51 and 52. Press "1" to reset the parameters. Press "Enter" key to return to the Main menu.

CLEAR TIME ZONES

Pressing "2" causes this selection to clear any previously programmed time zone and resets all times to 00:00. Press "1" to reset the parameters. Press "Enter" key to return to the Main menu.

CLEAR HOLIDAYS

Pressing "3" causes this selection to clear all Holidays from memory. This is useful for Holidays that are observed on different days from year to year, such as Thanksgiving or Labor Day. Press "1" to reset the parameters. Press "Enter" key to return to the Main menu.

CLEAR ACCESS LEVELS

Pressing "4" causes this selection to clear all access levels of any previously programmed data. Press "1" to reset the parameters. Press "Enter" key to return to the Main menu.

CLEAR ACCESS GROUPS

Pressing "5" causes this selection to clear all access groups of any previously programmed data. Press "1" to reset the parameters. Press "Enter" key to return to the Main menu.

CLEAR ENTRANCES

Pressing "6" causes this selection to clear all entrance data. Press "1" to reset the parameters. Press "Enter" key to return to the Main menu.

CLEAN CODES

Pressing "7" causes this selection to clean all corrupted directory data. Press "1" to reset the parameters. Press "Enter" key to return to the Main menu.

SETUP AND PROGRAMMING

DISPLAY DATA

Pressing the menu election "9" is used with a terminal for sub-menu choices 1 through 5. Data is sent to the screen. It is used to print various parameters, such as Time Zones, Holidays, Access Levels, Access Groups and general Information. Sub-menu choices 6 through 9 send data to the LCD display on the front panel of the TEC. To select this function, press "9" from the Main Menu. You will see the displays, shown below

The image displays seven overlapping terminal window screenshots, each showing a different menu screen from a CAT 4 terminal. The windows are titled 'Menu 1' through 'Menu 7'. Each window shows a different set of data, including system parameters, tables, and lists.

Menu 1 displays system parameters:

```

UER 4.11 4R
CODE CAP = 0500
PHONE CAP = 0500
CODE LENGTH = 3
PIN LENGTH = 4
SITE CODE = 000
CR BIT TYPE = 0
NUM RDR MOD = 0
DISP TYPE = 2
ENR ACC GRP = 0
PRESS # TO VIEW
DIRECTORY
PROGRAM PSWD = ???????
    
```

Menu 2 displays a table of zone times:

ZONE	STIME	ETIME	SMTWFSH
00	13:50	14:00	123456--
01	14:00	14:10	-23456--
02	14:10	14:20	-23456--
03	14:20	14:30	-23456--
04	14:30	14:40	-23456--
05	14:40	14:50	-23456--
06	14:50	15:00	-234567-
07	15:00	15:10	12345678
08	15:10	15:20	123456--
09	15:20	15:30	-23456--
10	15:30	15:40	-23456--
11	15:40	15:50	-23456--
12	15:50	16:00	-23456--
13	16:00	16:10	-23456--
14	16:10	16:20	-234567-
15	16:20	16:30	-23456-8

Menu 3 displays a table of holiday months and dates:

HOL	MONTH	DATE
00	01	01
01	02	02
02	03	03
03	04	04
04	05	05
05	06	06
06	07	07
07	08	08
08	09	09
09	10	10
10	11	11
11	12	12
12	01	13
13	01	14
14	01	15
15	01	16

Menu 4 displays a table of LEU, ENTRANCE, TZ, STIME, ETIME, and SMTWFSH:

LEU	ENTRANCE	TZ	STIME	ETIME	SMTWFSH
00	1-3-5-7-9-1	00	13:50	14:00	123456--
01	2-4-6-8-0-2	01	14:00	14:10	-23456--
02	1-3-5-7-9-1	02	14:10	14:20	-23456--
03	2-4-6-8-0-2	03	14:20	14:30	-23456--
04	1-3-5-7-9-1	04	14:30	14:40	-23456--
05	2-4-6-8-0-2	05	14:40	14:50	-23456--
06	1-3-5-7-9-1	06	14:50	15:00	-234567-
07	2-4-6-8-0-2	07	15:00	15:10	-23456--
08	1-3-5-7-9-1	08	15:10	15:20	-23456--
09	2-4-6-8-0-2	09	15:20	15:30	-23456--
10	1-3-5-7-9-1	10	15:30	15:40	-23456--
11	2-4-6-8-0-2	11	15:40	15:50	-23456--
12	1-3-5-7-9-1	12	15:50	16:00	-23456--
13	2-4-6-8-0-2	13	16:00	16:10	-23456--
14	1-3-5-7-9-1	14	16:10	16:20	-234567-
15	2-4-6-8-0-2	15	16:20	16:30	-23456-8

Menu 5 displays a table of AG AL, ENTRANCE, TZ, STIME, ETIME, and SMTWFSH:

AG AL	ENTRANCE	TZ	STIME	ETIME	SMTWFSH
01 00	1-3-5-7-9-1	00	13:50	14:00	123456--
13	2-4-6-8-0-2	13	16:00	16:10	-23456--

Menu 6 displays a table of ENT NO., OPEN TIME, OPEN TONE, AUTO GROUP, LATCH TONE, AJAR TIME, SPEC RLY, and OPEN PROG:

ENT NO.	OPEN TIME	OPEN TONE	AUTO GROUP	LATCH TONE	AJAR TIME	SPEC RLY	OPEN PROG
01	01	1	01	9	01	0	0
02	02	2	02	9	02	0	0
03	03	3	01	9	02	0	0
04	04	4	02	9	02	0	0
05	05	5	01	9	05	0	0
06	06	6	02	9	06	0	0
07	07	7	01	9	07	0	0
08	08	8	02	9	08	0	0
09	09	1	01	9	09	0	0
10	10	2	02	9	10	0	0
11	11	3	01	9	11	0	0
12	12	4	02	9	12	0	0
13	13	5	01	9	13	0	0
14	14	6	02	9	14	0	0
15	15	7	01	9	15	0	0
16	16	8	02	9	16	0	0

Menu 7 displays a table of ENT NO., AUTO GROUP, ACCESS LEVEL, TZ, START TIME, END TIME, and WEEK DAYS:

ENT NO.	AUTO GROUP	ACCESS LEVEL	TZ	START TIME	END TIME	WEEK DAYS
01	01	00	00	0:00	2:01	--3-6--
02	02	02	02	0:00	2:01	--3-6--
04	04	04	04	0:00	2:01	--3-6--
06	06	06	06	0:00	2:01	--3-6--
08	08	08	08	0:00	2:01	--3-6--
10	10	10	10	0:00	2:01	--3-6--
12	12	12	12	0:00	2:01	--3-6--
14	14	14	14	0:00	2:01	--3-6--

(CAT Shown. TEC is similar.)

FCC REQUIREMENTS

The Federal Communications Commission (FCC) has established Rules which permits this device to be directly connected to the telephone network. Standardized jacks are used for these connections. This equipment should not be used on party lines or coin lines.

If this unit is malfunctioning, it may also be causing harm to the telephone network. This device should be disconnected until the source of the problem can be determined and until repair is made. If this is not done, the telephone company may temporarily disconnect service.

The telephone company may make changes in its technical operations and procedures. If such changes affect the compatibility or use of this device, the telephone company is required to give adequate notice of the changes. You will be advised of your right to a complaint with the FCC.

If the telephone company requests information on what equipment is connected to their lines, inform them of:

- a. The telephone number this unit is connected to
- b. The ringer equivalence number
- c. The USOC jack required
- d. The FCC Registration number

Items 'b' and 'd' are indicated on the label.

The ringer equivalence (REN) is used to determine how many devices can be connected to your telephone line. In most areas, the sum of the RENs of all devices should not exceed five (5.0). If too many devices are attached, they may not ring properly.

NOTICE: The Canadian Department of Communications label identifies certified equipment. This certification means that the equipment meets certain telecommunications network protective, operational and safety requirements. The Department does not guarantee the equipment will operate to the user's satisfaction.

Before installing this equipment, users should ensure that it is permissible to be connected to the facilities of the local telecommunications company. The equipment must also be installed using an acceptable method of connection. In some cases, the company's inside wiring associated with a single line individual service may be extended by means of a certified connector assembly (telephone extension cord). The customer should be aware that compliance with the above conditions may not prevent degradation of service in some areas.

Repairs to certified equipment should be made by an authorized Canadian maintenance facility designated by the supplier. Any repairs or alterations made by the user to this equipment, or equipment malfunctions, may give the telecommunications company cause to request the user to disconnect the equipment.

Users should ensure for their own protection that the electrical ground connections of the power utility, telephone lines and internal metallic water pipe system, if present, are connected together. This precaution may be particularly important in rural areas.

Caution: Users should not attempt to make such connections themselves, but should contact the appropriate inspection authority, or electrician, as appropriate.

The **Load Number** (LN) is assigned to each terminal device. This denotes the percentage of the total load to be connected to a telephone loop which is used by the device, to prevent overloading. The termination on a loop may consist of any combination of devices. This is subject only to the requirement that the total Load Numbers of all devices does not exceed 100.

This digital apparatus does not exceed the Class A limits for radio noise emissions from digital apparatus. This is set out in the Radio Interference Regulations of the Canadian Department of Communications.

Le present appareil numerique n'emet pas de bruits radioelectriques depassant les limites applicables aux appareils numeriques de la Class A prescrites dans le Reglement sur le brouillage radioelectrique edicte par le ministere des Communications du Canada.

TEC Series v 3.2X

SERVICE REQUIREMENTS

In the event of equipment malfunction, all repairs should be performed by our Company or an authorized agent. It is the responsibility of users requiring service to report the need for service to our Company or to one of our authorized agents. Service can be obtained at:

Phone:

Warning: Changes or modifications not expressly approved by the party responsible for compliance could void the user's authority to operate the equipment.

NOTE: This Equipment has been tested and found to comply with the limits for a Class A digital device. This is pursuant to Part 15 of the FCC Rules. These limits are designed to provide reasonable protection against harmful interference when the equipment is operated in a commercial environment. This equipment generates, uses and radiates radio frequency energy. If not installed and used in accordance with the instruction manual, may cause harmful interference to radio communications. Operation of this equipment in a residence is likely to cause harmful interference. If this is the case, the user will be required to correct the interference at his own expense.

“BETTER TECHNOLOGY MAKES BETTER SYSTEMS”

03/15



***Select
Engineered
Systems, Inc.
7991 West 26th Ave.
Hialeah, FL 33016
Toll Free: 1-800-342-5737
In FL: 305-823-5410
Fax: 305-823-5215
website www.selectses.com
e-mail sales@selectses.com***